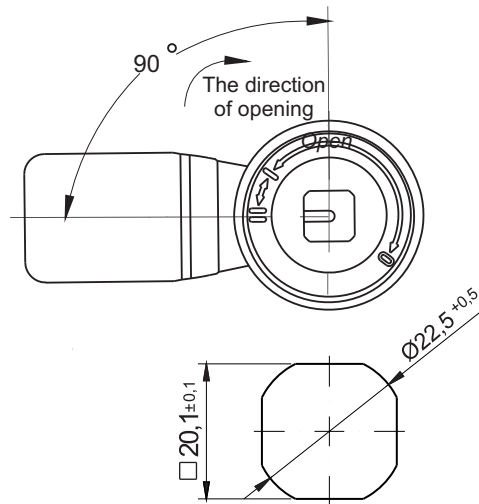


LH/RH

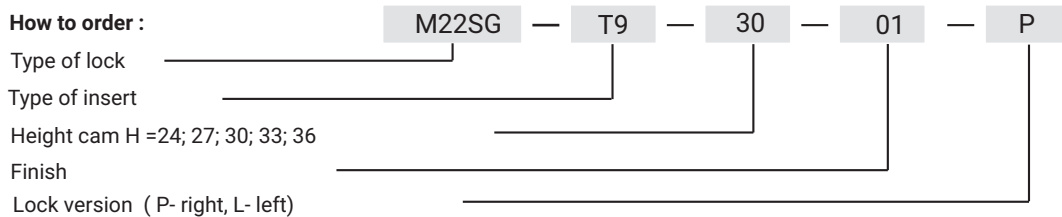


Cut out

INSERT		FINISH [C]	
		Chrom	RAL 9005
T9	KW8	01	04

TYPE OF LOCK	COMPONENTS	MATERIAL
M22SG	Housing, insert	ZAMAK 5
	Cam	Steel zinc plated

How to order :



* possibility to make in another dimension