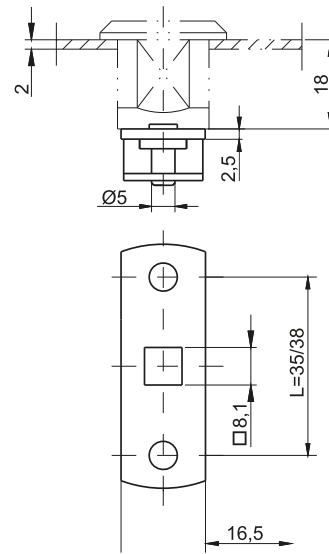
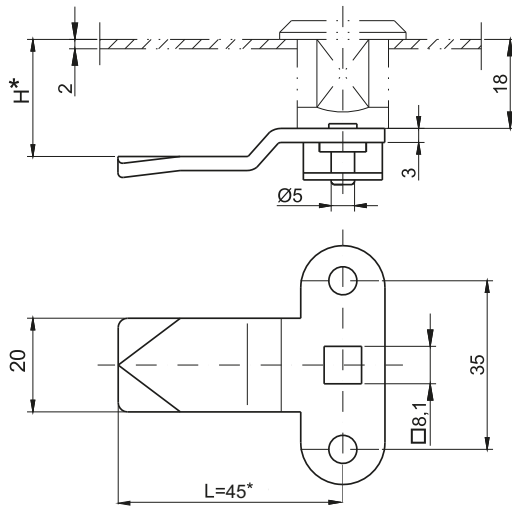
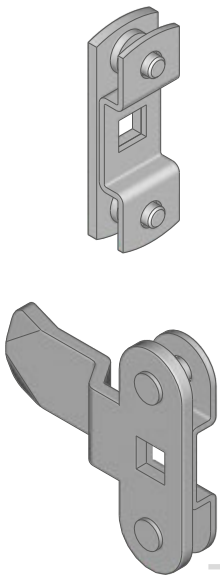


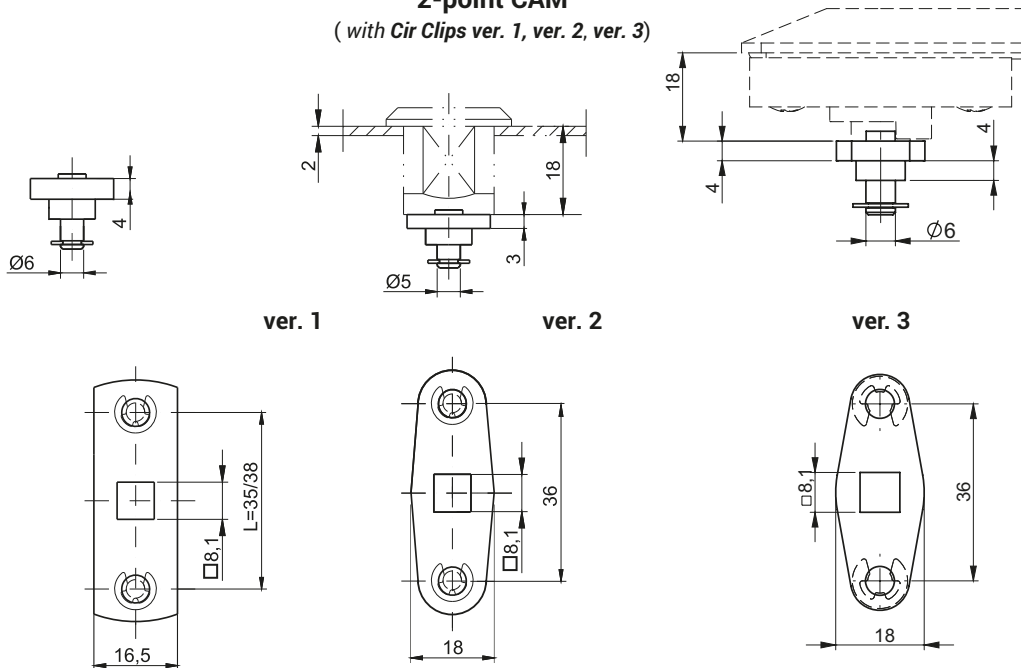


3-point CAM
(without limiter
with *protective element*)

2-point CAM
(with *protective element*)



2-point CAM
(with *Cir Clips ver. 1, ver. 2, ver. 3*)



NOTE:
When ordering 2-point Cams with dimension between pins 35 mm you must add /35 e.g. (JB-20018/35 or J-20018/35).

CAT. NUMBER	NAME	DIMENSIONS H [mm]	MATERIAL
JB-30018	JB-30018SN	18	Steel zinc plated or stainless steel
JB-30021	JB-30021SN	21	
JB-30024	JB-30024SN	24	
JB-30029	JB-30029SN	29	
JB-20018/35	JB-20018/35SN	18L=35	Steel zinc plated or stainless steel
JB-20018/38	JB-20018/38SN	18L=38	
J-20018/35	J-20018/35SN	18L=35	Steel zinc plated or stainless steel
J-20018/38	J-20018/38SN	18L=38	

21
CAM RANGE [g]

* dimension negotiable