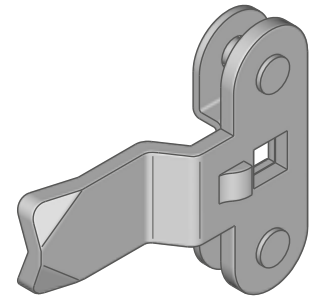
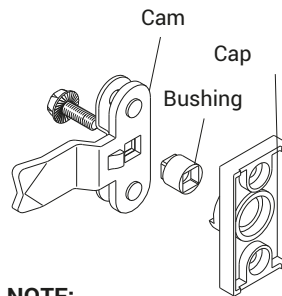
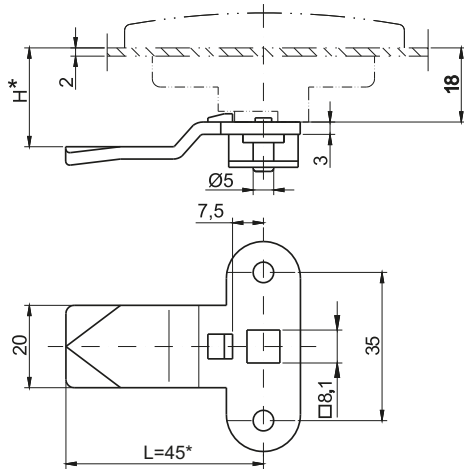




3-point CAM.

(with limiter and protective element for Cap)

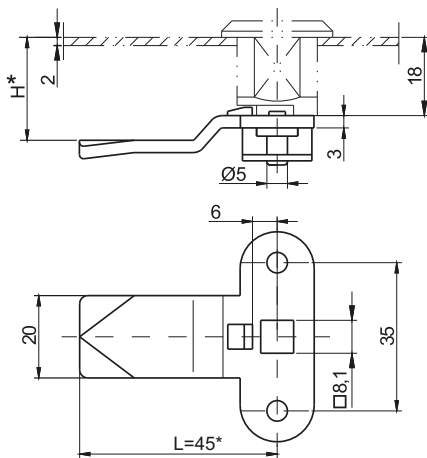


NOTE:

When ordering 3-point cam with limiter for cap, you must order bushing, page 1C-21.

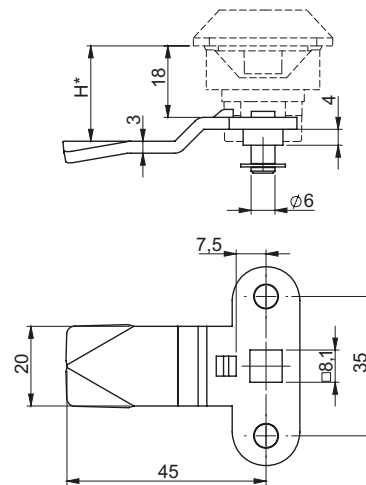
3-point CAM.

(with limiter and protective element)



3-point CAM.

(with limiter)



38	CAT. NUMBER		NAME	DIMENSION	MATERIAL
	SEEL ZINC PLATED	STAINLESS STEEL		H [mm]	
CAM RANGE [G]	JBN-37518	JBN-37518SN	3-point cam with limiter and protective element used with cap, pager 1C-9	18	Steel zinc plated or Stainless Steel
	JBN-37521	JBN-37521SN		21	
	JBN-37524	JBN-37524SN		24	
	JBN-37529	JBN-37529SN		29	
	JB-37518	JB-37518SN	3-point cam with limiter and protective element	18	Steel zinc plated or Stainless Steel
	JB-37521	JB-37521SN		21	
	JB-37524	JB-37524SN		24	
	JB-37529	JB-37529SN		29	
	JA-3751845	JB-3751845SN	3-point cam with limiter	18	Steel zinc plated or Stainless Steel
	JA-3752145	JB-3752145SN		21	
	JA-3752445	JB-3752445SN		24	
	JA-3752945	JB-3752945SN		29	

• *dimension negotiable - extra charge