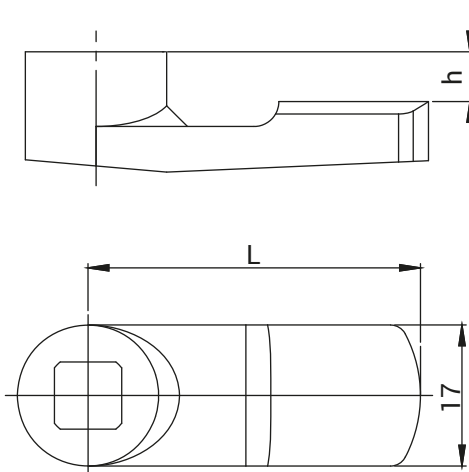


| 18 | | CAM WITH LIMITER | | | | | | | |
|---------------|-----|------------------|---|----|---------|---------|---------|---------|---------|
| CAM RANGE [G] | H | Cat. Number | h | L | GH:18 H | GH:30 H | GH:40 H | GH:50 H | GH:60 H |
| | 18P | JP2-10018 | 0 | 40 | 18 | 30 | 40 | 50 | 60 |
| | 21P | JP2-10021 | 3 | 40 | 21 | 33 | 43 | 53 | 63 |
| | 24P | JP2-10024 | 6 | 40 | 24 | 36 | 46 | 56 | 66 |



| 19 | | CAM WITHOUT LIMITER | | | | | | | |
|---------------|-----|---------------------|----|----|---------|---------|---------|---------|---------|
| CAM RANGE [G] | H | Cat. Number | h | L | GH:18 H | GH:30 H | GH:40 H | GH:50 H | GH:60 H |
| | 18P | JP-10018 | 0 | 40 | 18 | 30 | 40 | 50 | 60 |
| | 21P | JP-10021 | 3 | 40 | 21 | 33 | 43 | 53 | 63 |
| | 24P | JP-10024 | 6 | 40 | 24 | 36 | 46 | 56 | 66 |
| | 29P | JP-10029 | 11 | 40 | 29 | 41 | 51 | 61 | 71 |