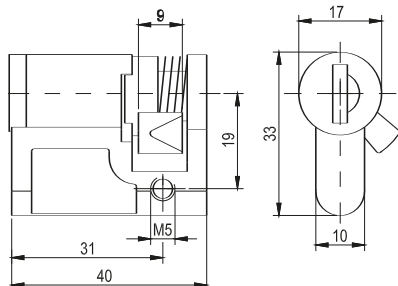


## PROFILE CYLINDER

### WRS-P.001

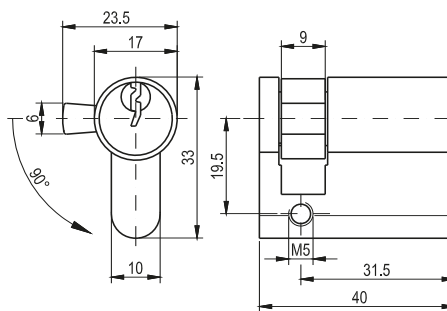
(self-locking - key code 1333, 405E, 455E, 1242E, 2342E)



**NOTE:**  
Profile cylinder can be ordered with one or different key codes.

## PROFILE CYLINDER

### WRS-B.001

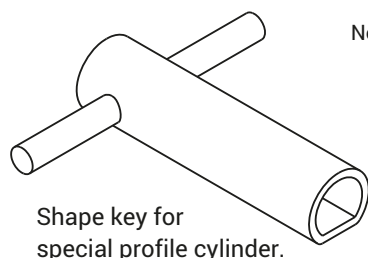


**NOTE:**  
Profile cylinder can be ordered with one or different key codes.



## SPECIAL PROFILE CYLINDER with SHAPE KEY WRS-D13.001/002

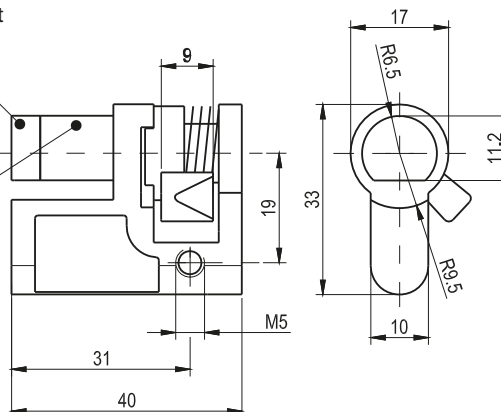
(latching)



Shape key for special profile cylinder.

Not turnable part

Turnable part



**NOTE:**  
Special profile cylinder only for swinghandles RS420, RS520, RS420/U, RS520/U str. 1B-5



CAT. NUMBER	DETAL	TYPE KEY
WRS-D13.001, -D13.002	Special profile cylinder	D13
Profile cylinder latching	Profile cylinder - latching	-
Profile cylinder - one code	Profile cylinder	-
Profile cylinder - different code	Profile cylinder	-