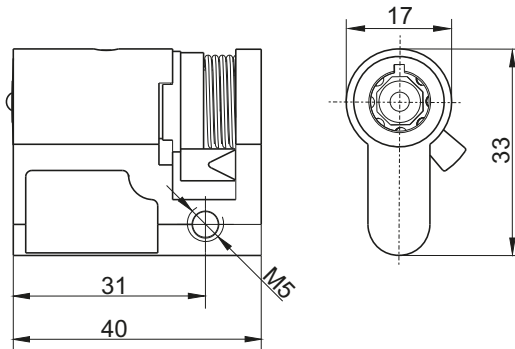


SHAPED INSERT

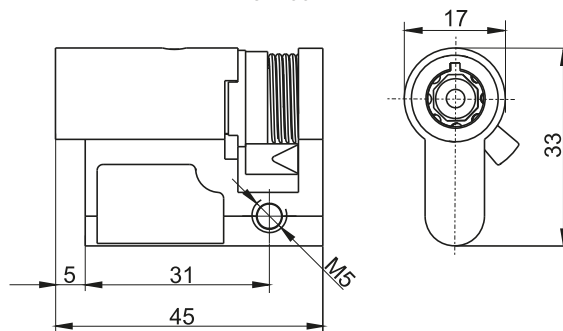
WCM.001



Design TIP-PIN

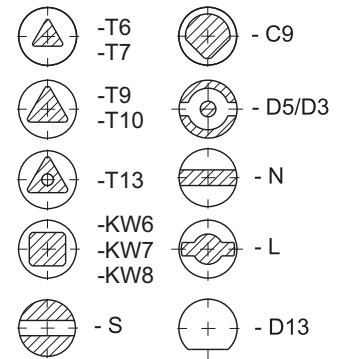
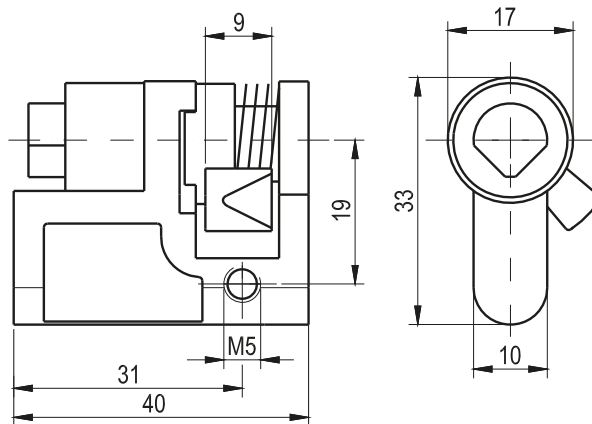
SHAPED INSERT

WCM.001



SHAPED INSERT

(latching)



DETAL	KEY TYPE	DETAL
WRS-WCM.001	Type WCM	Insert shape
WRS-WCM.002	Type WCM	
WRS-T6	Triangle 6 mm	
WRS-T9	Triangle 9 mm	
WRS-KW8, WRS-KW6	Square Kw 8, 6 mm	
WRS-S	Type S	
WRS-C9	Type C9 mm	
WRS-D5, -D3	Type D5, D3 mm	
WRS-N	Type N3,5 mm	
WRS-L	Type L	