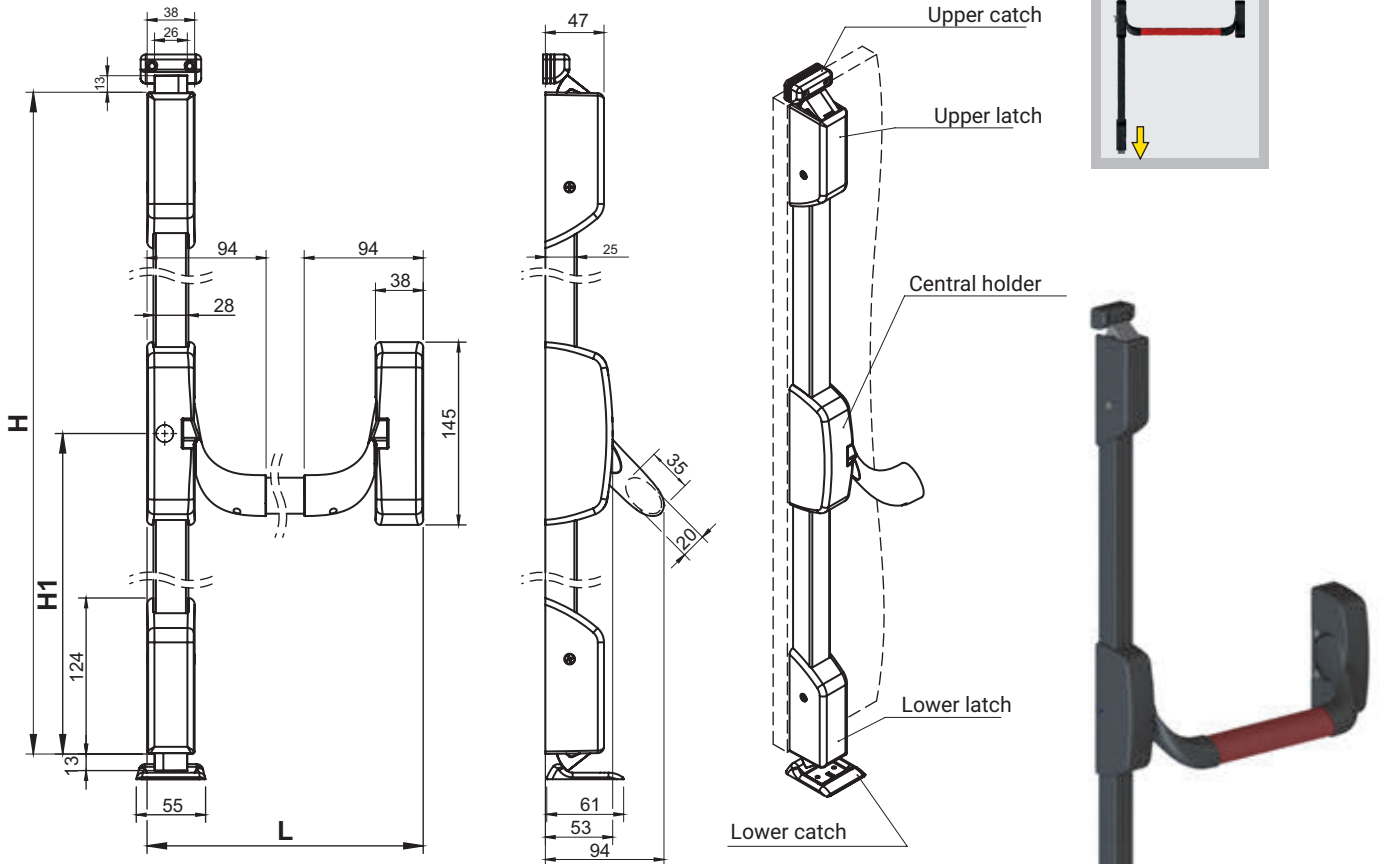


Anti-panic lock DOUBLE-POINT VERTICAL LATCH (top / bottom)



The set includes::

- central holder,
- vertical upper latch,
- vertical lower latch,
- horizontal bar (state size L at order),
- upper and lower rod (state dimension of H and H1 at order),
- upper catch with a set of spacers,
- lower catch,

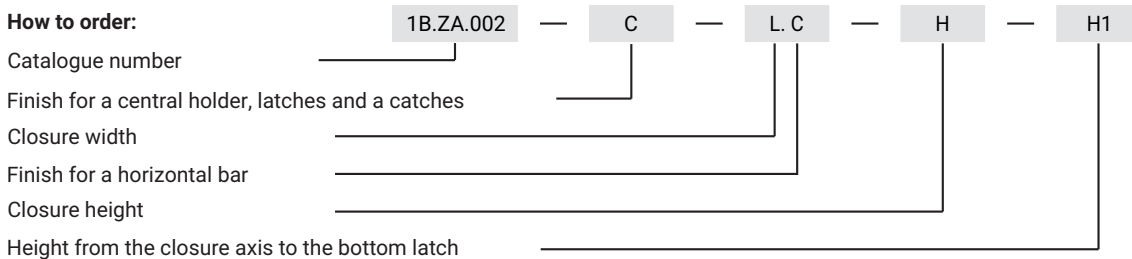
Accessories to be ordered separately:

- external holder 1B.ZA.100,

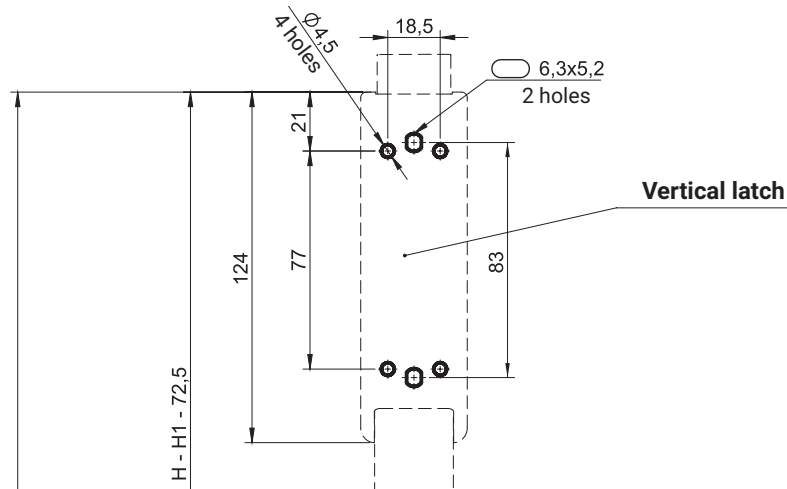
Housings of locks and catches, horizontal bar are made of ZAMAK;
internal lock mechanism, rod - galvanized steel; bar, catch - powder-coated steel

| CATALOGUE NUMBER | COMPONENTS | FINISH [C] | | |
|------------------|----------------|------------|----------|----------|
| | | RAL 9005 | RAL 7035 | RAL 3020 |
| 1B.ZA.002 | Central holder | | | |
| | Vertical latch | 04 | 05 | - |
| | Catch | | | |
| | Horizontal bar | 04 | 05 | 12 |

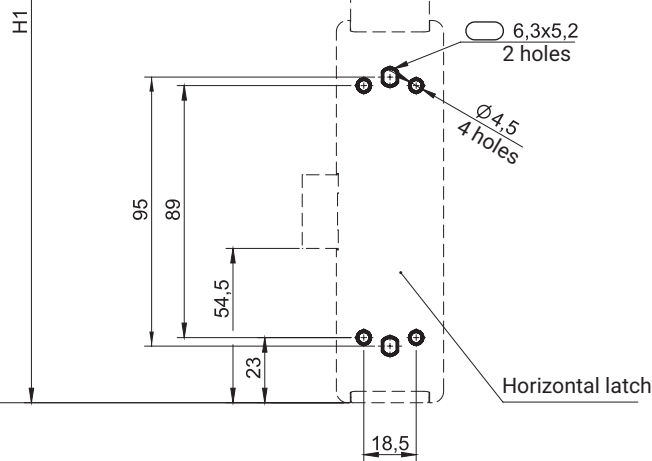
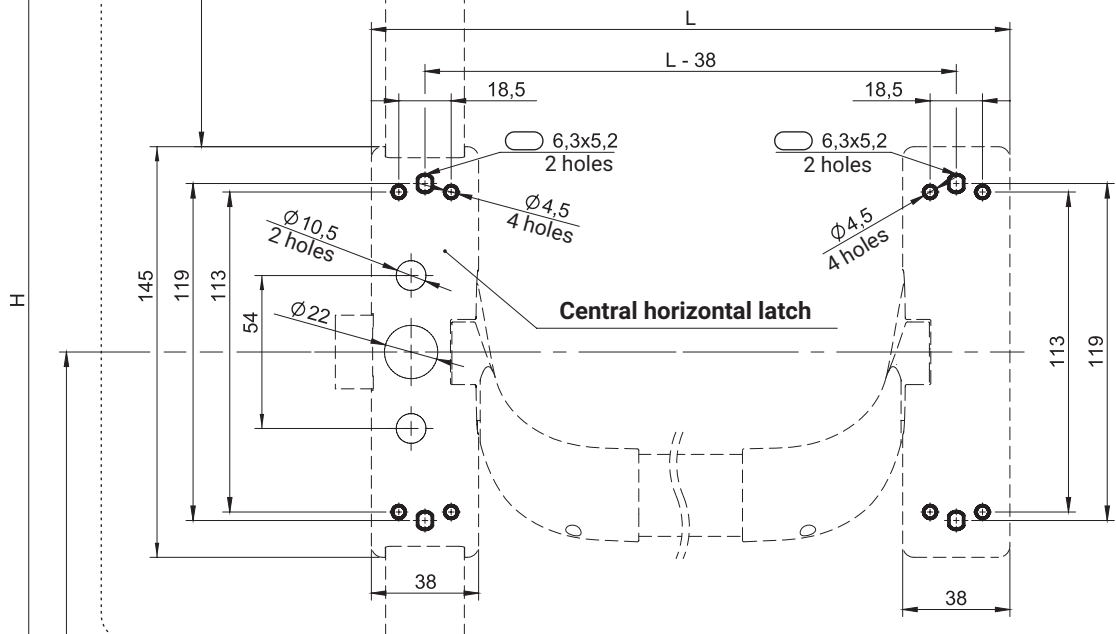
How to order:



2 or 3 point locking



Single-point horizontal locking



Each lock can be mounted on 4 holes $\varnothing 4,5$ or 2 holes 6,3x5,2