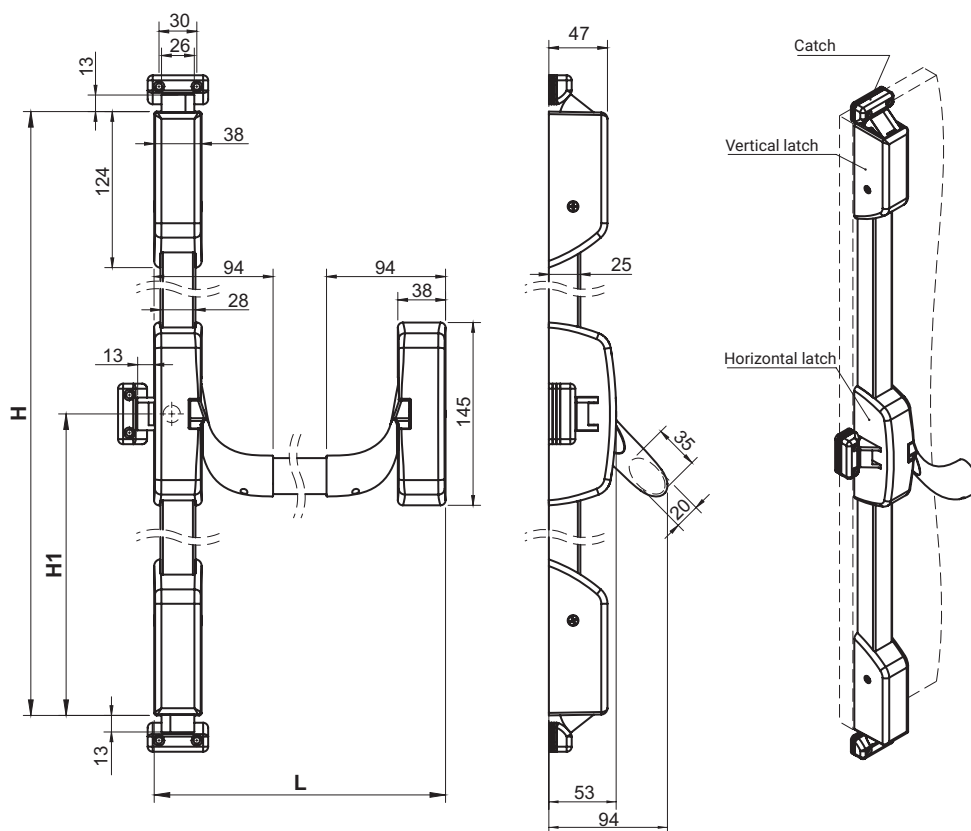


Anti-panic lock THREE-POINT LATCH (side / top / bottom)



- The set includes:
- central holder,
 - vertical latch (x2),
 - horizontal latch,
 - horizontal bar (state size L at order),
 - upper and lower rod (state dimension of H and H1 at order),
 - catch with a set of spacers (x3)

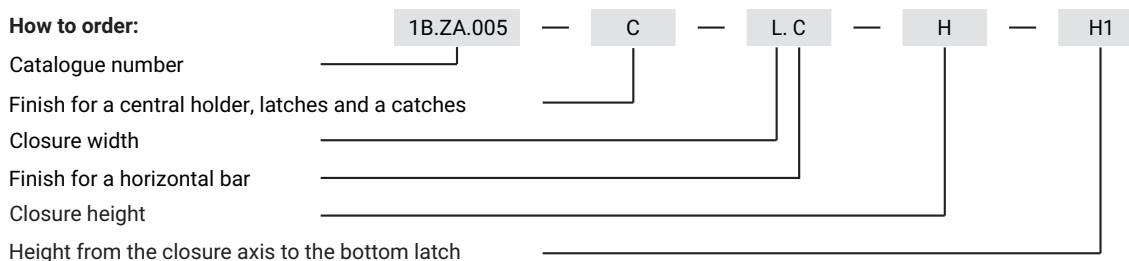
Accessories to be ordered separately:

- external holder 1B.ZA.100

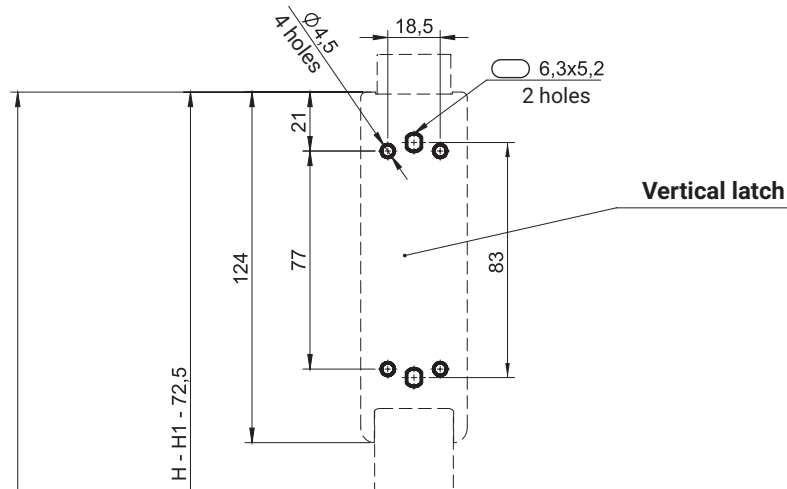
Housings of locks and catches, horizontal bar are made of ZAMAK;
internal lock mechanism, rod - galvanized steel; bar, catch - powder-coated steel

CATALOGUE NUMBER	COMPONENTS	FINISH [C]		
		RAL 9005	RAL 7035	RAL 3020
1B.ZA.005	Central holder			
	Latch	04	05	-
	Catch			
	Horizontal bar	04	05	12

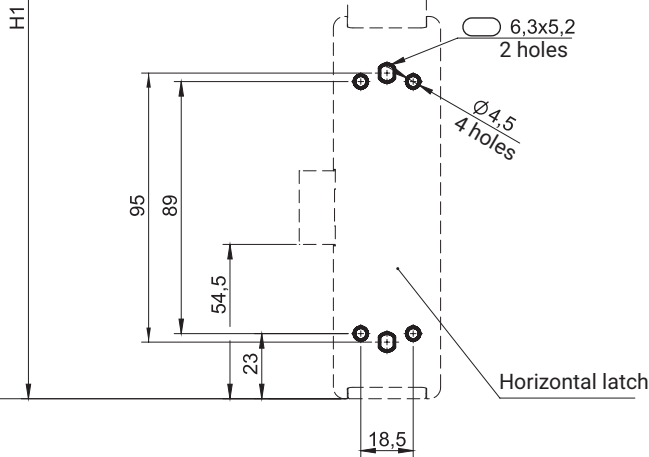
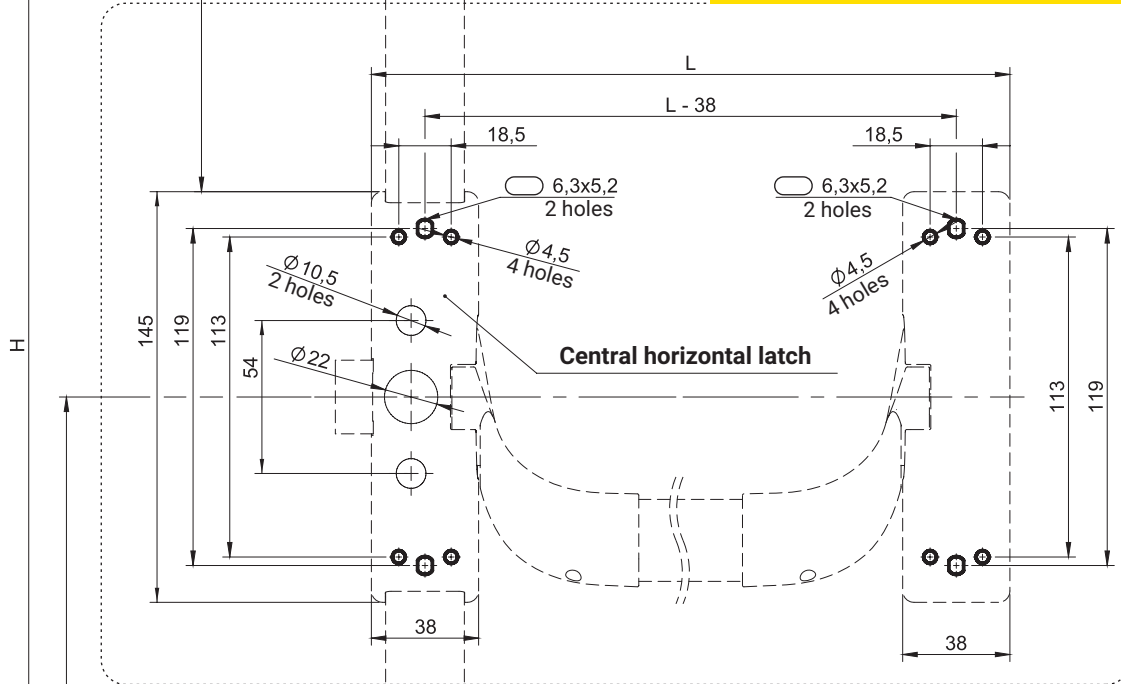
How to order:



2 or 3 point locking



Single-point horizontal locking



Each lock can be mounted on 4 holes $\varnothing 4,5$ or 2 holes 6,3x5,2