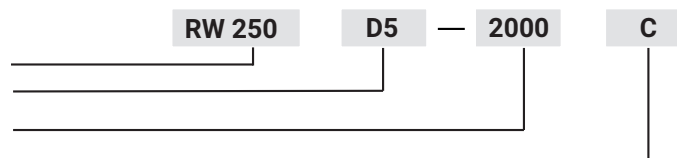


LOCK TYPE	COMPONENTS	MATERIAL	FINISH [C]	
RW 250	Housing	ABS	RAL 9005	RAL 7035
	Flat rods	Steel	04	05

Inserts				
D3	D5	T9	KW 8	S

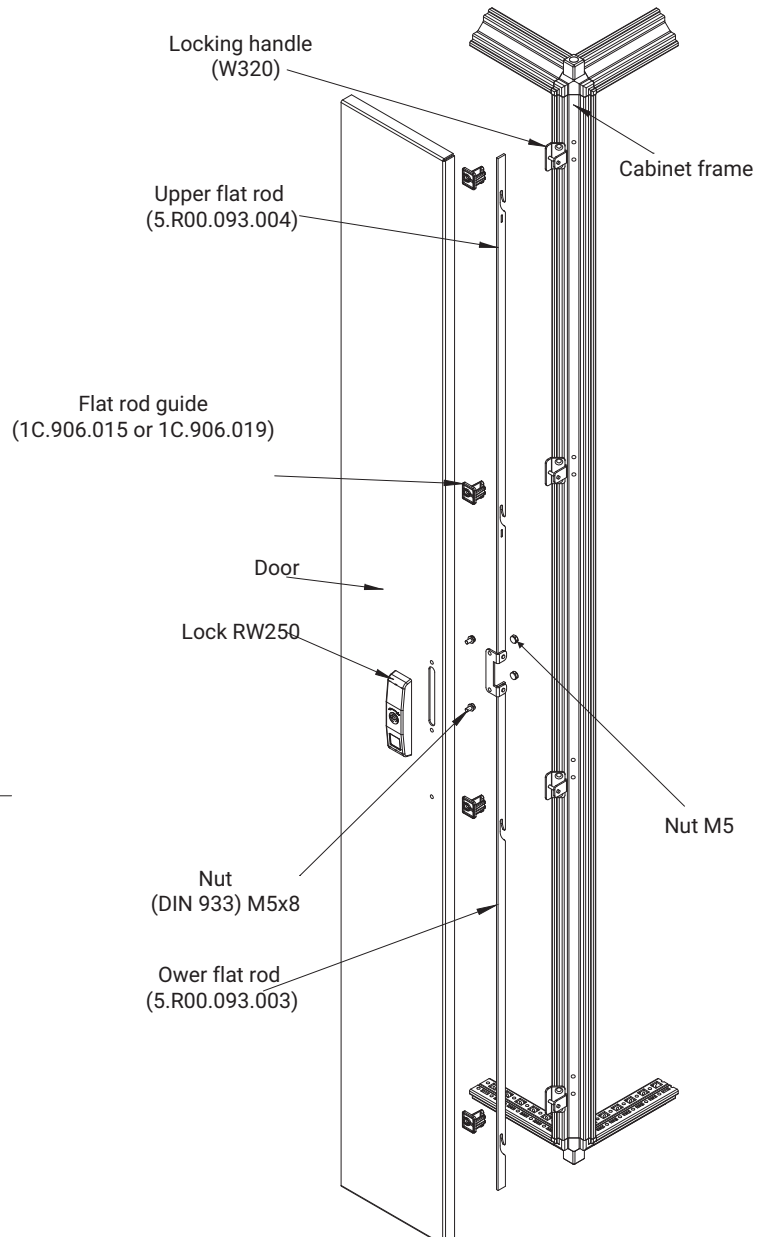
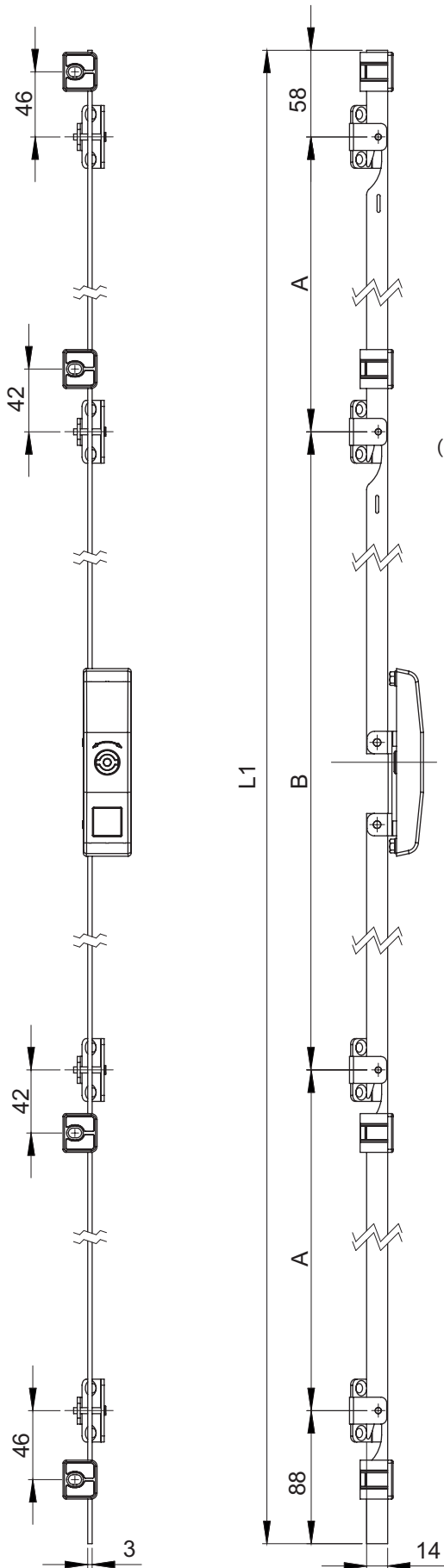
### How to order :

Type of lock  
Type of insert  
Height cabinet  
Finish



### NOTE:

1. Lock RW 250 suitable to use outside the sealing zone
2. Locking system for door about max. thickness 2 mm
3. Type of locking system: left or right.
4. System components sold together or separately



HEIGHT OF THE BOX[L]	L1	A	B
1800	1729	520	520
2000	1929	586	586