

STEEL

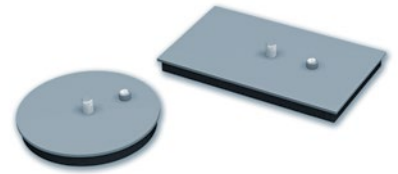
Steel Suction Cups with Bonded Seal With Bonded Seal

For horizontal handling of heavy loads (very thick sheet metal) or objects with an uneven surface such as concrete slabs or wood, etc.

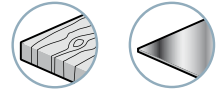
Advantage: wide selection of shapes and sizes.

Materials

Body Painted steel
Foam seal Nitrile



Industry-specific applications



Types of use



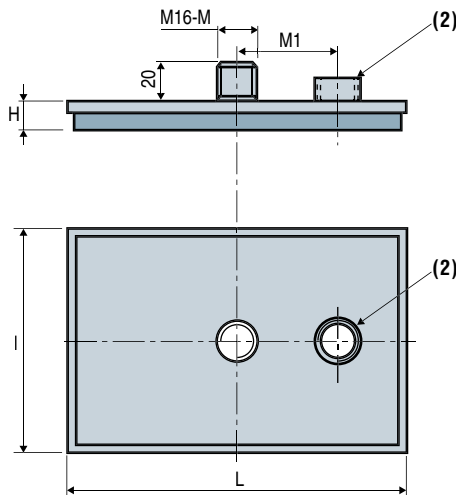
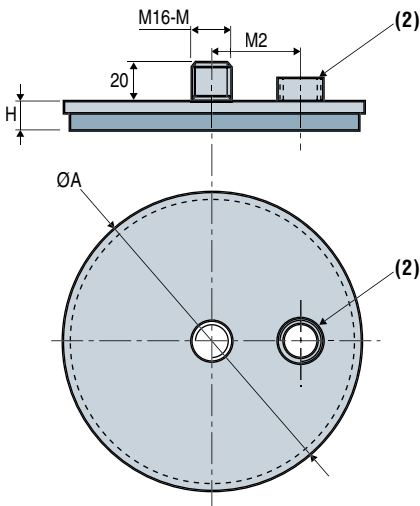
3

STEEL

Suction Cup Characteristics

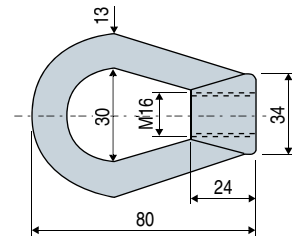
Round suction cups				Rectangular suction cups								
	Ø A	H	Δ (N) ⁽¹⁾		L	I	H	M1/M2	Rac. ⁽²⁾	Δ (N) ⁽¹⁾	Type of seal	
5020	150	25	311	6020	175	115	25	40	G1/4"-F	332	BM 2020 SPTR	
5028	170	25	433	6028	215	115	25	45	G1/4"-F	426	BM 2020 SPTR	
5035	190	25	571	6035	225	125	25	50	G1/4"-F	513	BM 2020 SPTR	
5050	210	25	737	6050	250	150	25	60	G1/4"-F	751	BM 2020 SPTR	
5085	260	25	1235	6085	305	180	25	70	G1/4"-F	1206	BM 2020 SPTR	
5150	350	35	2145	6150	410	250	35	80	G3/8"-F	2159	BM 3030 SPTR	
5240	420	35	3308	6240	480	310	35	100	G3/8"-F	3416	BM 3030 SPTR	
5330	500	35	4940	6330	575	330	35	120	G3/8"-F	4521	BM 3030 SPTR	
5500	580	35	6897	6500	705	385	35	140	G3/8"-F	6811	BM 3030 SPTR	

(1) Force measured at 65% vacuum including a factor of 2.

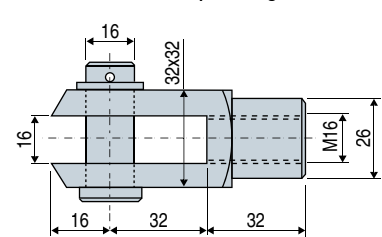


Fittings

■ 5000 An ring fitting



■ 5000 Ch cap fitting



The values represent the average characteristics of our products.
Note: All dimensions are in mm



For all orders, please specify:
Round suction cup: Model + Fitting model.
E.g.: 5050 5000 An

Option

Spring system mounting, see page 4/5.