

# VPYR

## Radial Ball-joint Suction Cups



VPYR series ball-joints are recommended for gripping rounded or rotating products. They are also recommended for gripping requiring high mechanical resistance and force.

Industry-specific applications

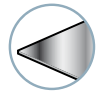
Materials

**Suction cups**

**NBR** Nitrile  
**Si** Silicone

**Ball-joint**

Nickel-plated brass and zinc-plated steel



Types of use

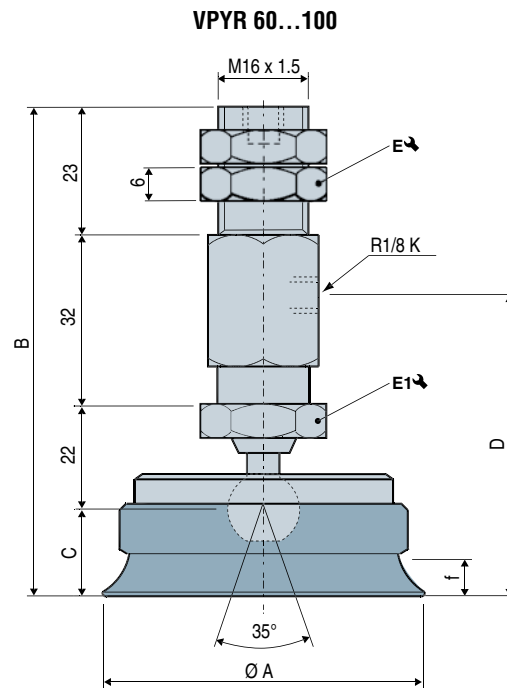
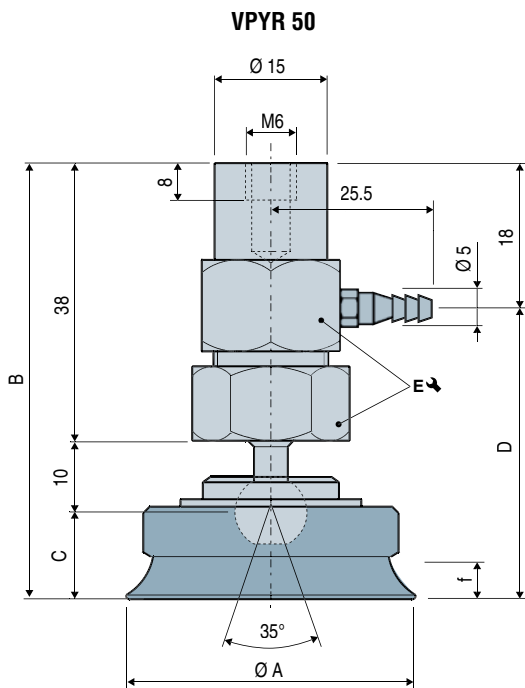


### Suction Cup Characteristics

	(N) <sup>(1)</sup>	$R_{min}$	$\varnothing A$	B	C	D	E	E1	f <sup>(2)</sup>	NBR	Si	(g)
<b>VPYR 50</b>	65	41	50	60	12	42	19	-	4	<b>VPYR50NBR</b>	<b>VPYR50SI</b>	117
<b>VPYR 60</b>	93.7	70	60	93	16	58	21	19	5	<b>VPYR60NBR</b>	<b>VPYR60SI</b>	352
<b>VPYR 80</b>	166.1	100	80	95	18	60	21	19	6	<b>VPYR80NBR</b>	<b>VPYR80SI</b>	444
<b>VPYR 100</b>	260	150	100	95	18	60	21	19	6	<b>VPYR100NBR</b>	<b>VPYR100SI</b>	568

(1) Actual force of the suction cup with 65% vacuum and a safety factor of 2 included.

(2) f = Deflection of the suction cup.



### Replacement suction cup

If the suction cup becomes worn, the VPR suction cup can be ordered alone, specifying the diameter ( $\varnothing A$ ) and material of the suction cup. Example VPR 50 NBR.

The values represent the average characteristics of our products.  
Note: All dimensions are in mm



**Specify the part number e.g.: VPYR50NBR**  
**Please refer to the characteristics table above.**

### Accessories

Possibility of telescopic spring-mounting on request.