



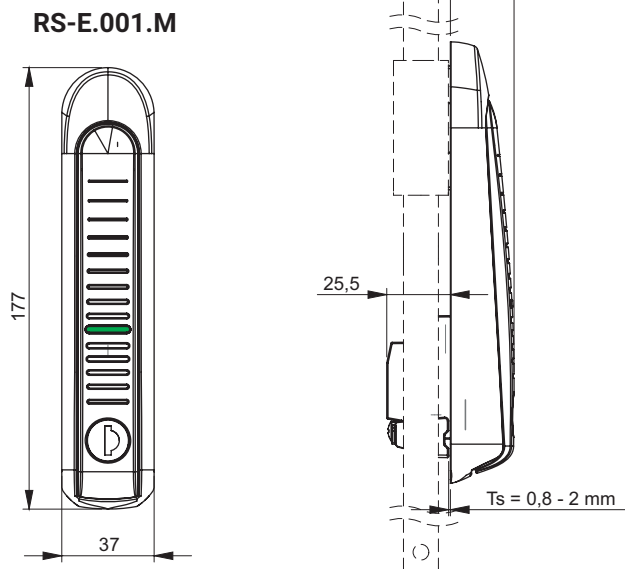
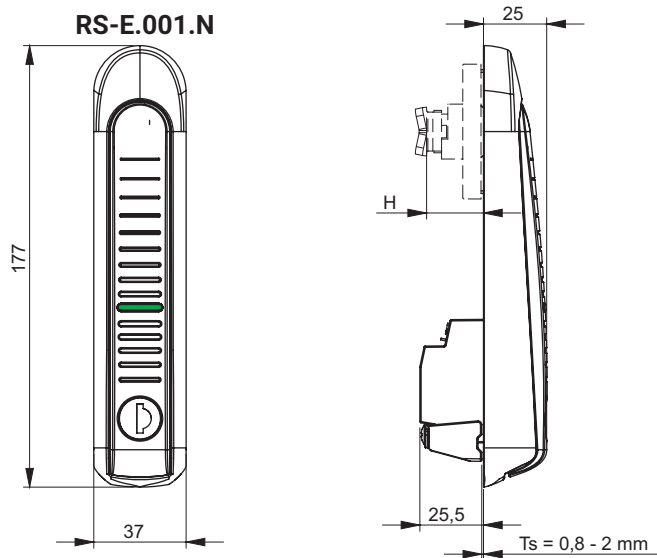
### It has two opening points:

- Mechanical - cylinder with a patent key for emergency opening in case of power failure
- Electronic - built-in micro servo

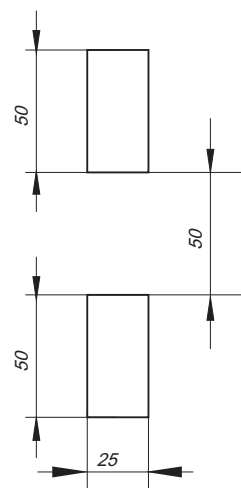
### Technical data:

- RFID technology
- 4-digit PIN code
- Compatible with the access control system EMI-One
- Built-in handle position sensor in the lock for warning purposes the user to leave the lock open when the cabinet door is closed.
- Power supply for 12V DC lock
- Built-in buzzer for lock action signaling
- LED indicating the lock status
- Storage of login information Minimum 10 years
  
- The RS-E.001.M lock cooperates with the cogwheel mechanism MZ2 (pp. 1C-30 to 1C-31)
- The RS-E.001.N lock cooperates with the 1C.902.001 cover plate.(pages 1C-27) and with cams 1-point from group 11, 13





Mounting hole



Power supply : 12V DC.

Lock RS-E.001MZ is compatible with cogwheel mechanism MZ2 (pg 1C-30 to 1C-31) - should be ordered separately.

Lock RS-E.001N is compatible with a cap 1C.902.001 (pg 1C-27)

and cams: 1-point from group 11, 13 (pg 1C-10, 1C-11) - should be ordered separately.

\* EMI access control equipment to be ordered separately

CATALOGUE NUMBER	COMPONENTS	MATERIAL	FINISH [C]
			RAL 9005
RS-E.001.N RS-E.001.M	Handle, housing	PA6 GF30	07
<b>CONFIGURATIONS OF ACCESS ARE POSSIBLE</b>			
DESCRIPTION			CONFIGURATIONS
key	Standard lock		001
key + RFID card	Stand-alone version with RFID system		002
key + keypad	Stand-alone version with keypad lock		003
key + EMI	Electronic lock with EMI* control system		004
key + RFID card + EMI	Electronic lock with EMI* control system		005

**How to order :** **RS-E.001.N** — **002** — **[C]**  
 Type of lock \_\_\_\_\_  
 Configurations of access \_\_\_\_\_  
 Finish \_\_\_\_\_