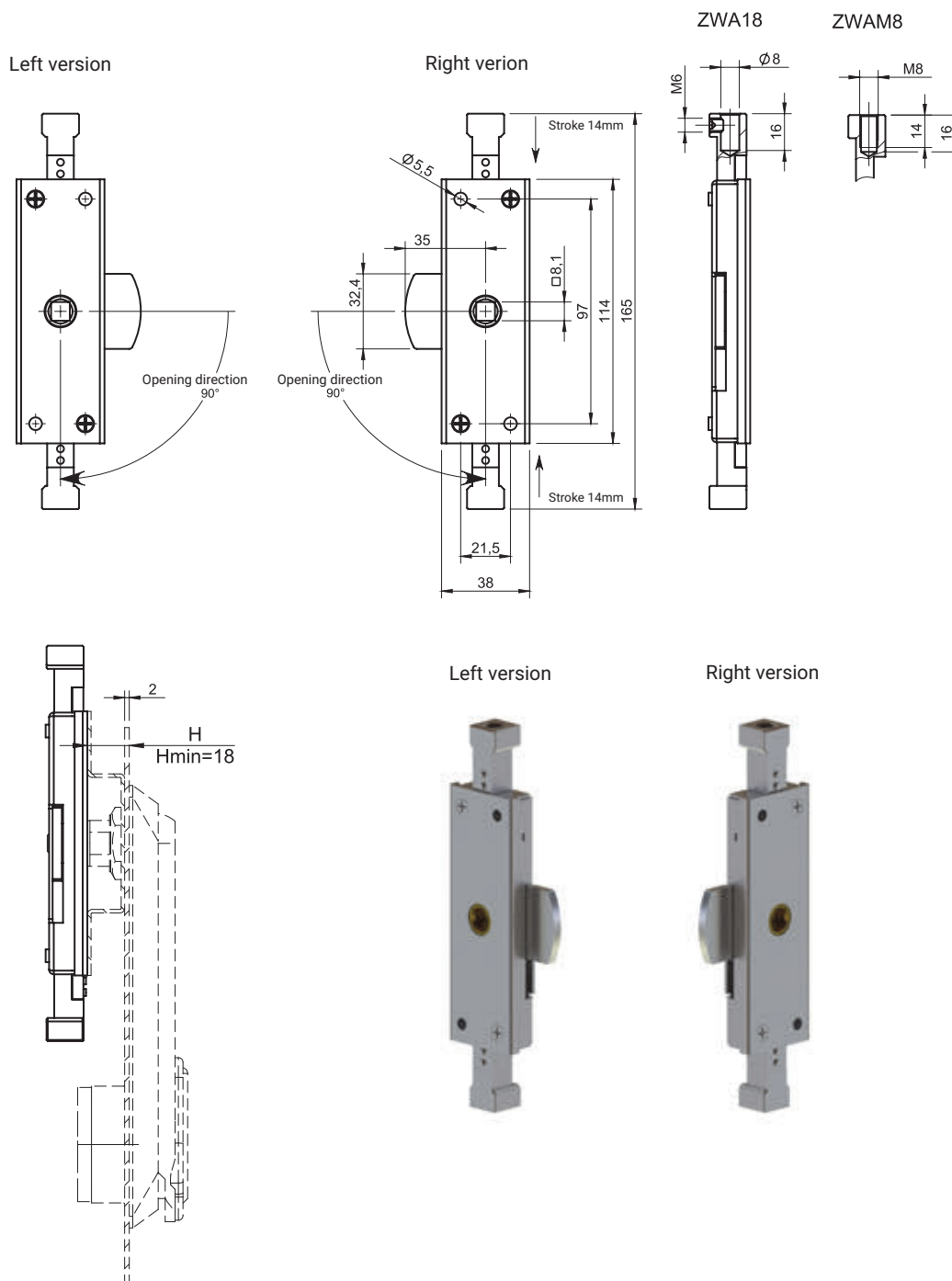


## ZWA1 lock driven by a swinghandle



Lock ZWA1 works with the swinghandle RS130, page 1B-8 and with the swinghandle RS200, page 1B-3.  
When ordering the RS lock to cooperate with the ZWA1 lock, add the end of ZWA1 to the catalogue number of the RS lock

CAT. NUMBER	VERSION	METHOD OF ATTACHING THE ROD	MATERIAL
1B.ZWA10.101	Right	Hole ø8	Steel zinc plated
1B.ZWAM8.101		Threaded hole m8	
1B.ZWA18.102	Left	Hole ø8	
1B.ZWAM8.102		Threaded hole m8	