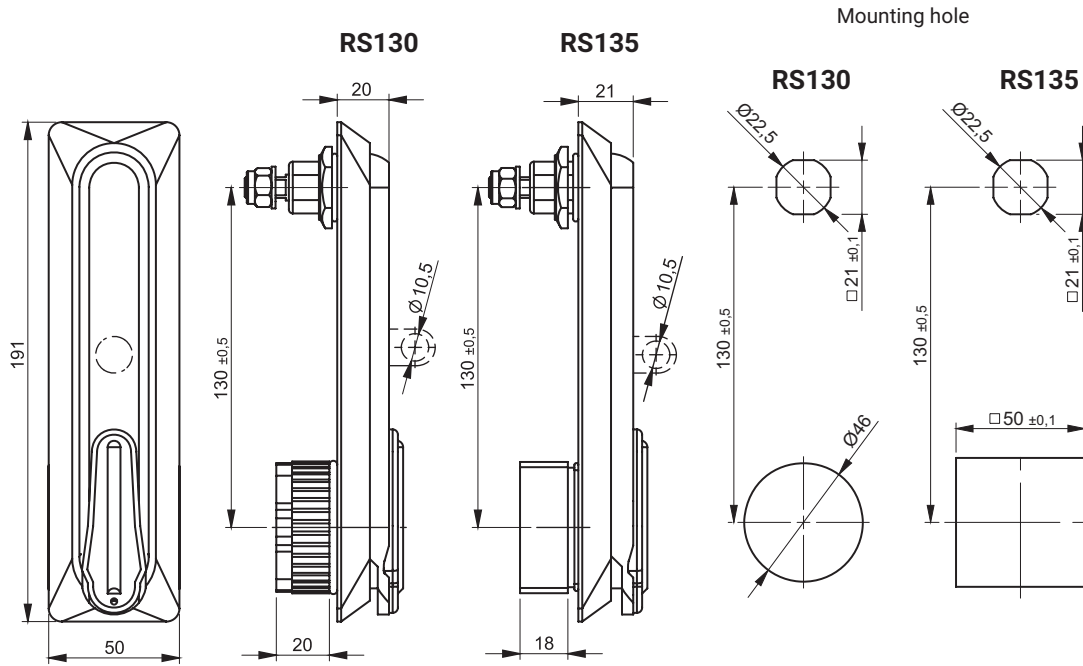
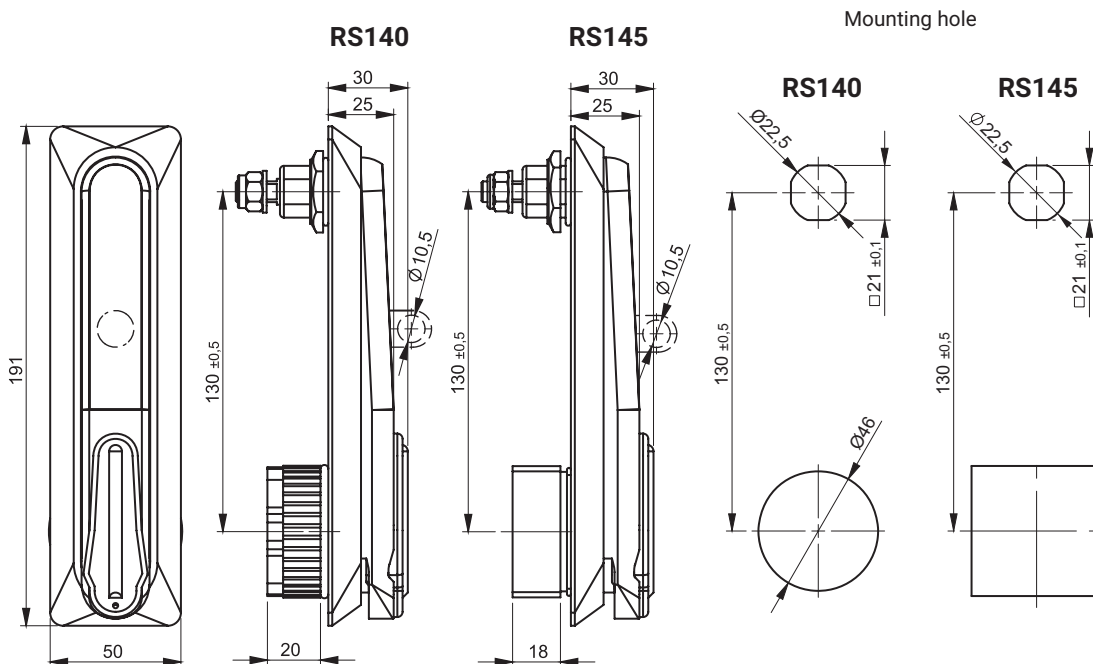


# Swinghandle RS130, RS135, RS140, RS145



LOCK TYPE	COMPONENTS	MATERIAL
RS130, RS130/U	Housing	Polyamide - PA6 GF30
RS135, RS135/U		
<b>Material and finish [C]</b>		
<b>ZAMAK</b>		<b>Polyamide PA6 GF30</b>
RAL9005		RAL9005
04		07

**How to order :** RS130 — C  
 Type of lock \_\_\_\_\_  
 Material handle, colour \_\_\_\_\_



LOCK TYPE	COMPONENTS	MATERIAL	FINISH [C]
			RAL 9005
RS140, RS140/U	Housing	Polyamide PA6 GF30	04
RS145, RS145/U	Handle	ZAMAK5	