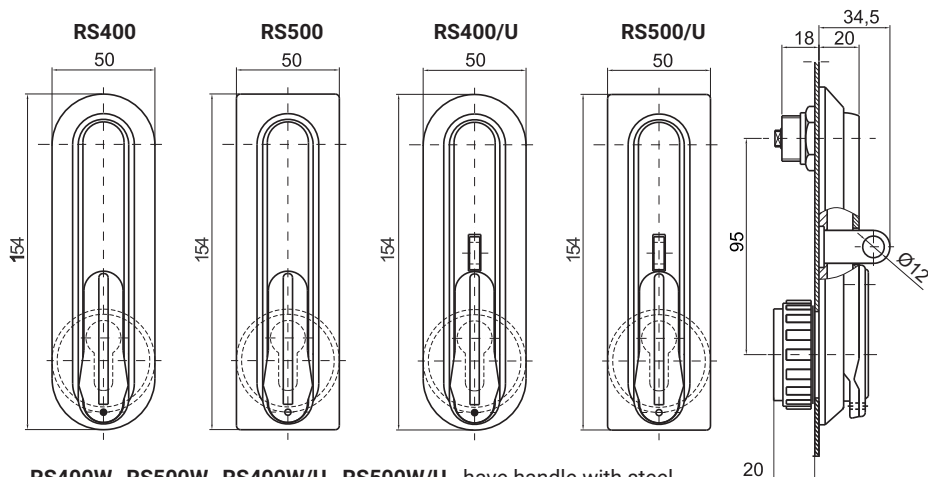


Swinghandle

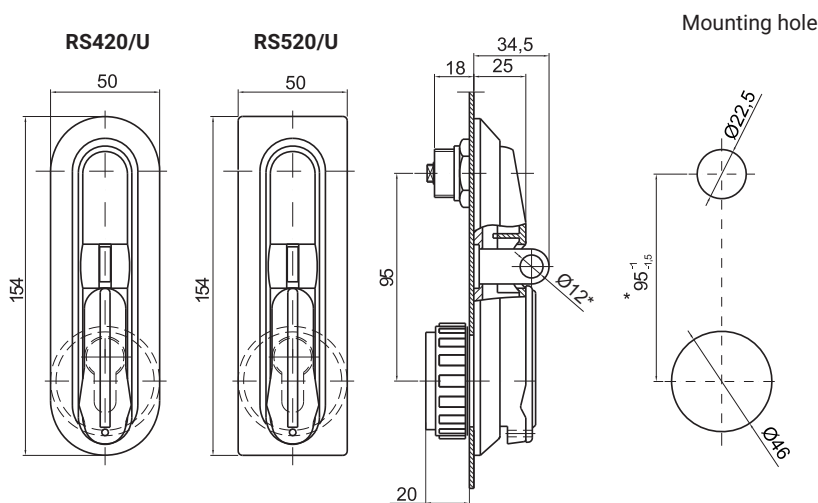
RS400, RS400W, RS400/U, RS400W/U, RS420, RS420/U, RS500, RS500W, RS500/U, RS500W/U, RS 520, RS520/U



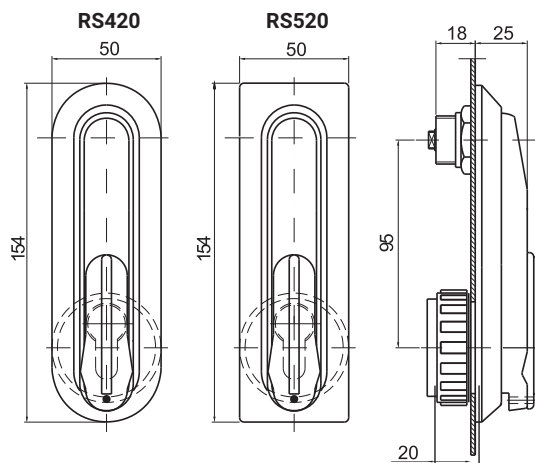
ROZTOCZE



RS400W, RS500W, RS400W/U, RS500W/U - have handle with steel strengthening inside



Mounting hole



(*) - Padlock device is available with diameter Ø12

| NAME | | COMPONENTS | MATERIAL | FINISH [C] | |
|----------|----------|-----------------|---------------|------------|----------|
| | | | | RAL 9005 | RAL 7035 |
| RS400 | RS500 | Housing, handle | Polyamide PA6 | | |
| RS400W | RS500W | | | | |
| RS400/U | RS500/U | | | | |
| RS400W/U | RS500W/U | | | 07 | 08 |
| RS420 | RS520 | | | | |
| RS420/U | RS520/U | | | | |

• Additionally there is a possibility of putting company logo on a dust cover

How to order:

Catalogue number

Finish

RS420/U

C