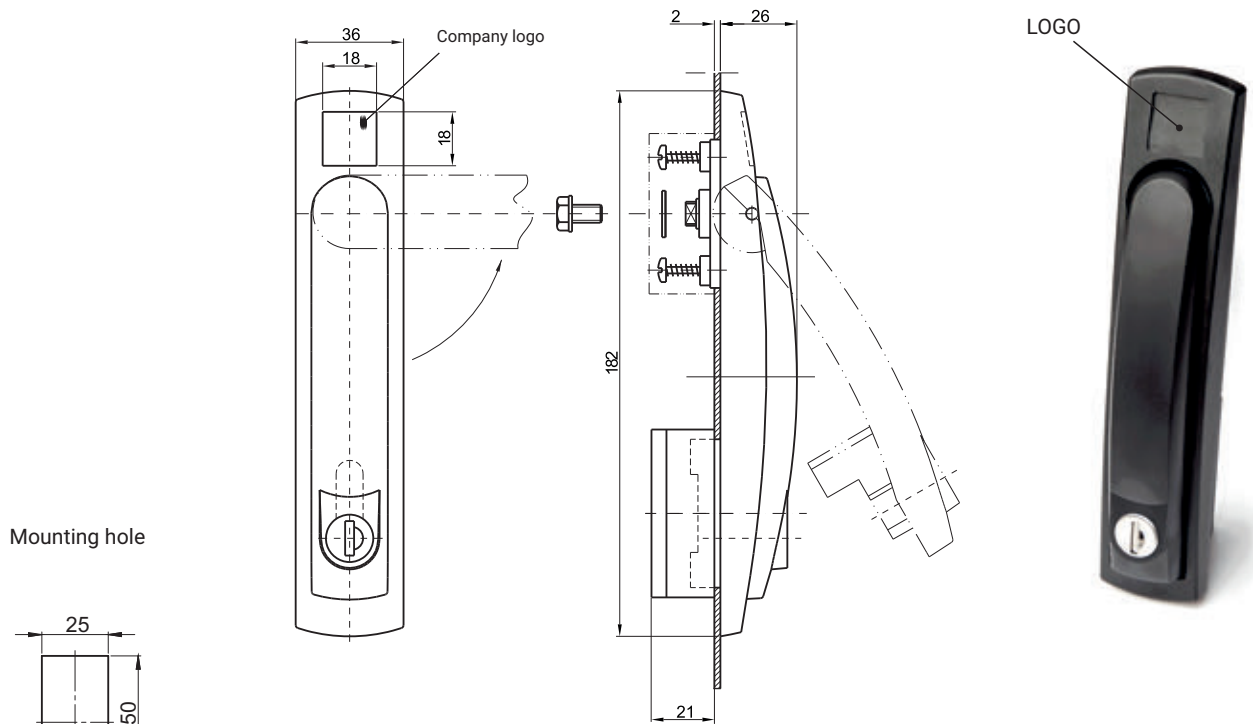
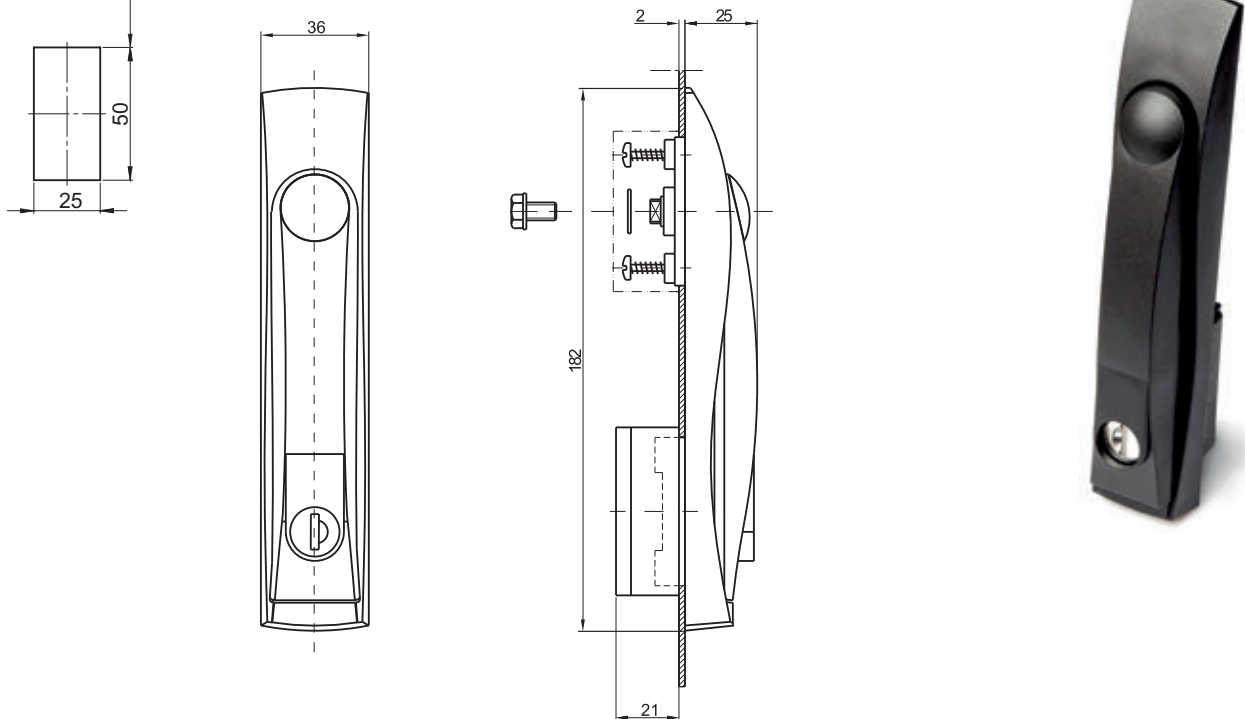


RS600



RS610.M RS610.N



* possibility of making a logo by Pad Printing

TYPE OF LOCK	COMPONENTS	MATERIAL	FINISH [C]
RS600	Body, Handle	Polyamide PA6 GF30	RAL 9005
RS610			07

How to order:

Type of lock
Finish

