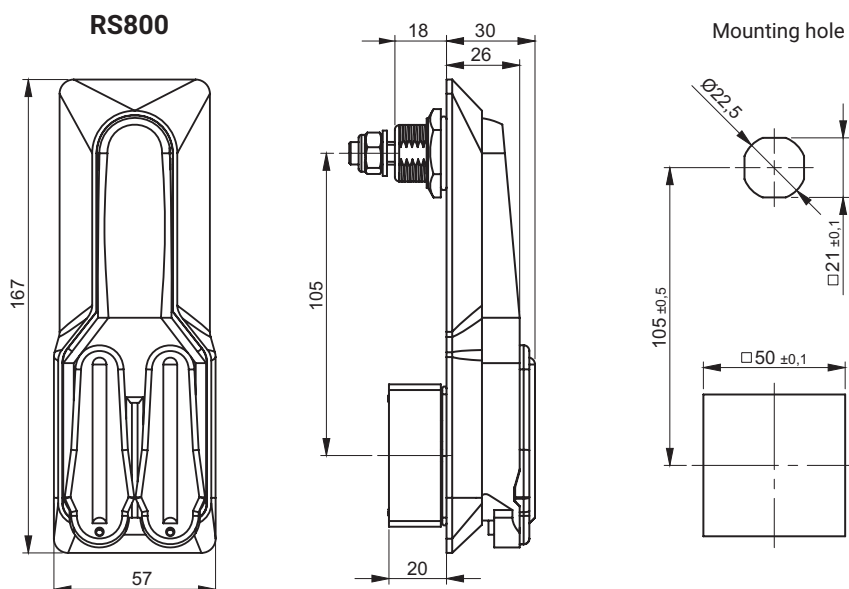


DETAIL	COMPONENTS	MATERIAL	FINISH [C]	
			RAL 9005	RAL 7035
RS110 RS210	Housing, Handle	Polyamide PA GF30	07	08



DETAIL	COMPONENTS	MATERIAL	FINISH [C]	
			RAL 9005	RAL 7035
RS800 RS800W	Housing, Handle	Polyamide PA GF30	07	08

NOTE:
Locking is the enhanced version or without reinforcement.
RS800W - with steel reinforcement handle.

How to order:

Catalogue number

Finish

