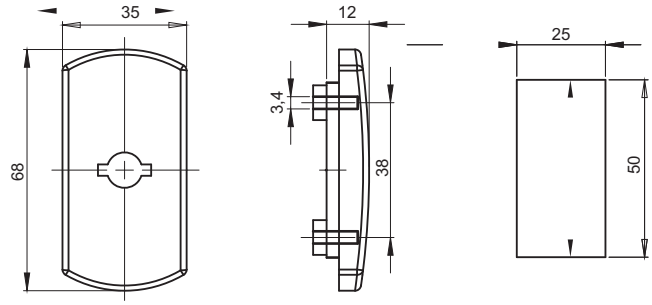
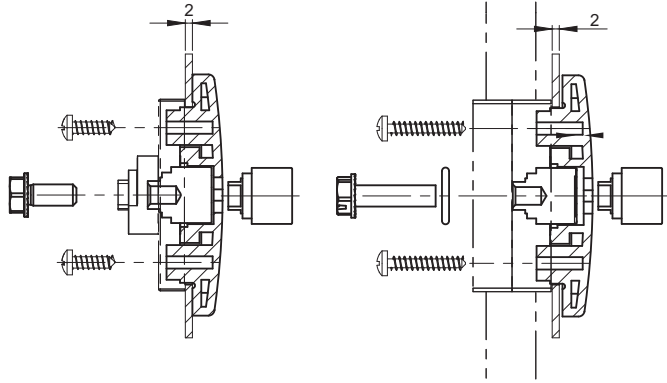


### RW100.N

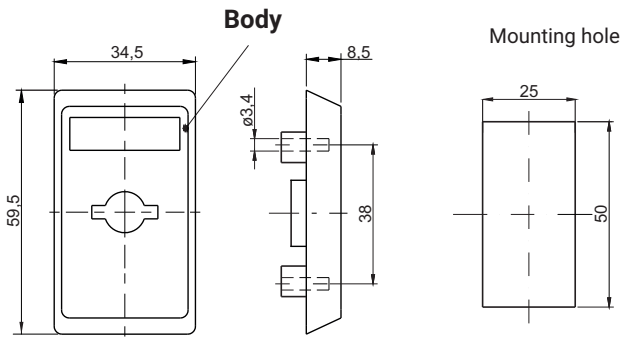


**RW100.N**  
(Used with Cap)

**RW100.M**  
(Used with Cogwheel mechanism)

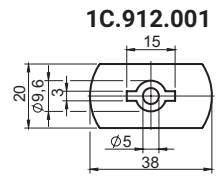
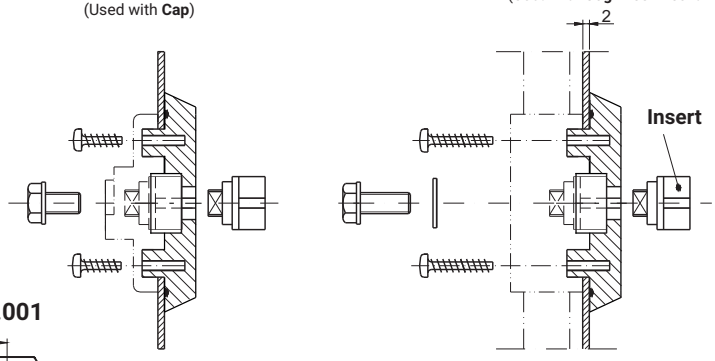


### RW110.N



**RW110.N ...**  
(Used with Cap)

**RW110.M ...**  
(Used with Cogwheel mechanism)



Protective cover compatible with locks: RW100, RW110, RW400

NOTE:  
Additional components  
of locks:  
**RW100.N, RW100.M,**  
**RW110.N, RW110.M,**  
on pages: 1A-5, 1A-6.

TYPE OF LOCK	COMPONENTS	MATERIAL	FINISH [C]
			RAL 9005
RW100.N, RW100.M RW110.N, RW110.M	Body	Polyamide PA6 GF30	07
1C.912.001	Protective cover	Polyamide	07

**How to order :**

