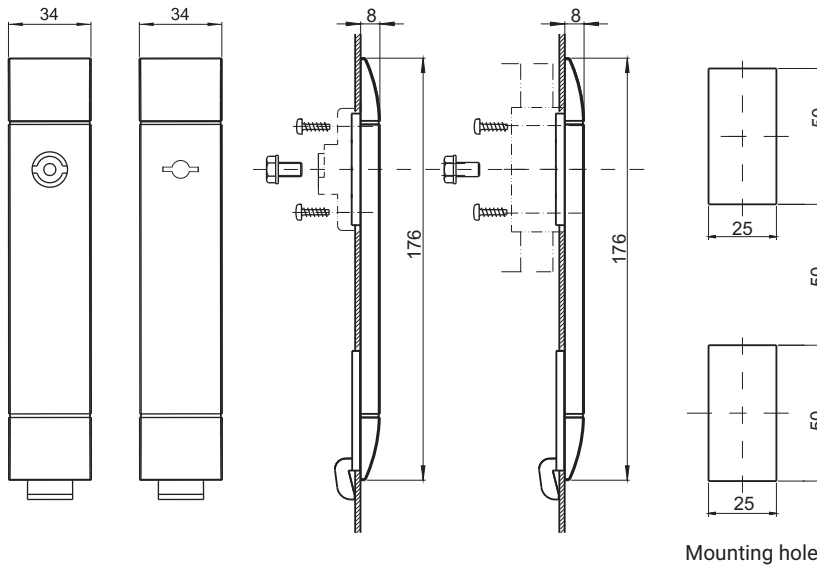


**NOTE:**  
Fixing element can be fixed on left and right side of the lock

TYPE OF LOCK	COMPONENTS	MATERIAL	FINISH [C]
			RAL 9005
RS720.001	Body, Handle, Fixing element	Polyamide	07
RS720.002	Body, Fixing element	Polyamide	07
	Handle	ZAMAK	04

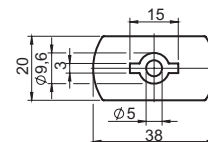
RW400.N RW410.N

RW400.M  
RW410.M



Mounting hole

1C.912.001



Protective cover compatible with locks: RW100, RW110, RW400

TYPE OF LOCK	COMPONENTS	MATERIAL	FINISH [C]
			RAL 9005
RW400.N, RW410.N RW400.M, RW410.M	Body	Polyamide	07
1C.912.001	Protective cover	Polyamide	07

**How to order :**  
 Type of lock            **RW400.N** — **[C]**  
 Finish