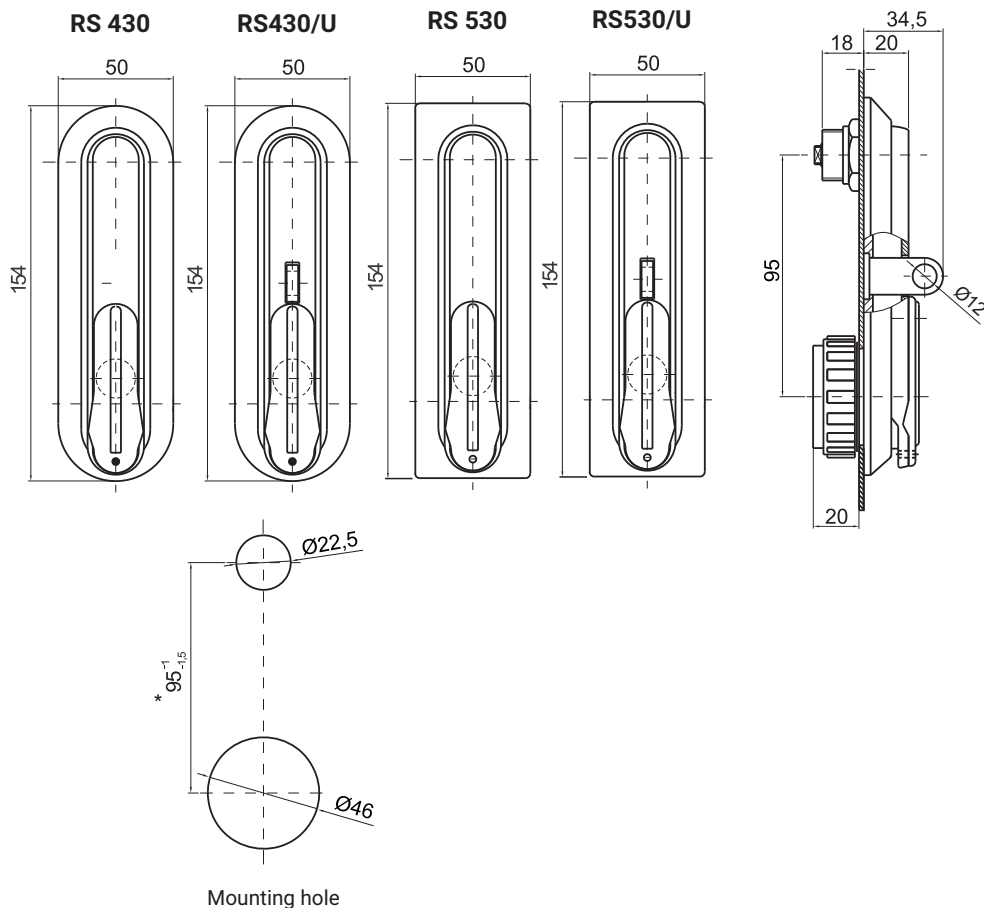


# Swinghandle RS430, RS430/U, RS530, RS530/U



LOCK TYPE	COMPONENTS	MATERIAL						
RS 430, RS 430/U RS 530, RS 530/U	Housing, handle	Poliamide						
	Padlock ring	ZAMAK						
Inserts		FINISH [C]						
D3	D5	T9	T10	KW 8	S	N	RAL 9005 07	RAL 7035 08

**How to order :** RS430/U — T9 — C

Type of lock \_\_\_\_\_  
 Type of insert \_\_\_\_\_  
 Finish \_\_\_\_\_

LOCK TYPE	COMPONENTS	MATERIAL		
RS 430, RS 430/U RS 530, RS 530/U	Housing, handle	Poliamid		
	Padlock ring	ZAMAK		
Key code		FINISH [C]		
1333	455E	2342E	RAL 9005	RAL 7035
405E	1242E	Different code	07	08

**How to order :** RS430/U 1333 C

Type of lock \_\_\_\_\_  
 Key code \_\_\_\_\_  
 Finish \_\_\_\_\_



Lock with handle RS 430, RS 430/U, RS 530, RS 530/U is compatible with cam: 15, 16, 19, 21, 35, 36, JK-10018, JK1-10018, JK2-10018, J-6000  
 H.G dimension to be chosen from pages 1C-10 to 1C-17