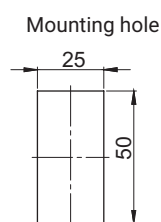
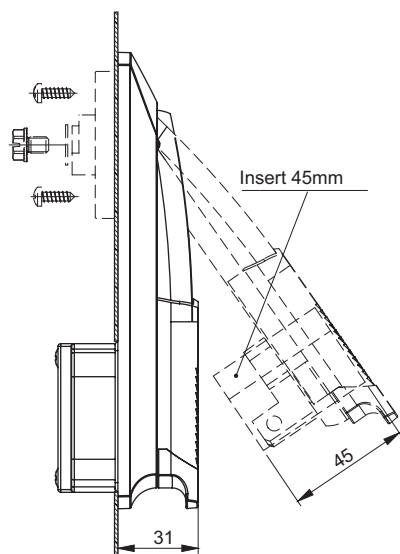
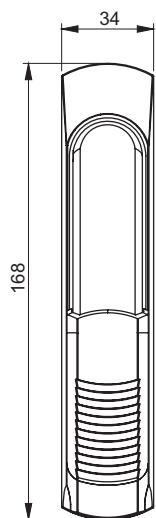
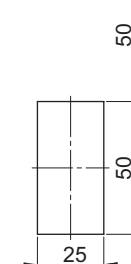
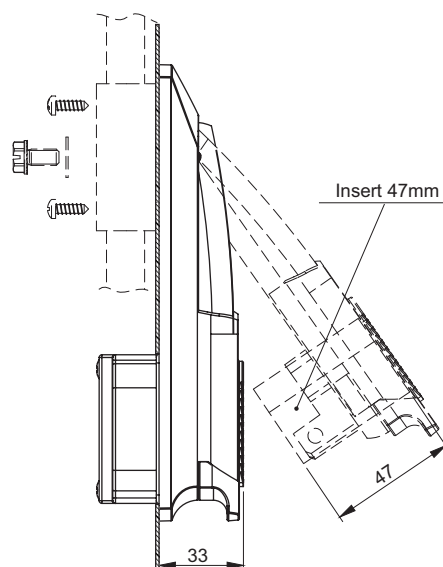
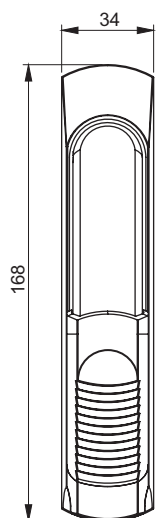


RS730-45



RS730-47



| LOCK TYPE | VERSION | COMPONENTS | MATERIAL | FINISH [C] | |
|------------|---------------------------|-----------------|----------------------|------------|----------|
| | | | | RAL 9005 | RAL 7035 |
| RS730-45.N | For the cap 1C.902.001 | Housing, Handle | Polyamide PA GF30 | 07 | 08 |
| RS730-47.N | | | | | |
| RS730-45.M | For the rod control | | | | |
| RS730-47.M | | | | | |

How to order :

RS730-45.N — [C]

Lock type

Finish

The lock is fitted with profile which should be ordered separately (pg. 1C-1, 1C-2)

The lock is fitted with gear mechanism (pg. 1C-30 to 1C-33)

or the cover plate 1C.902.001 (pg.1C-27), should be ordered separately.