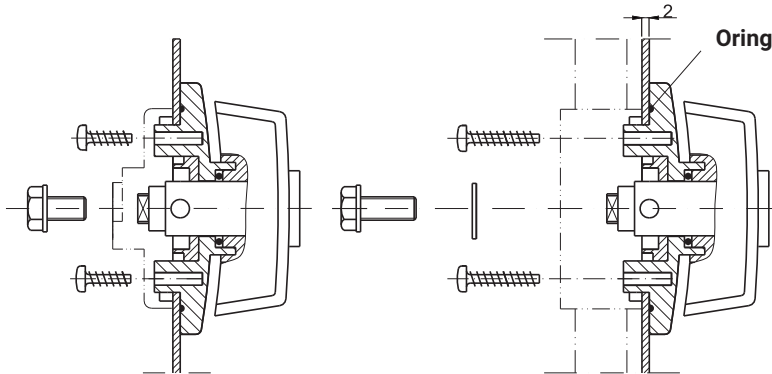


**RW200.N ...**  
(Used with Cap)

**RW200.M ...**  
(Used with Cogwheel mechanism)

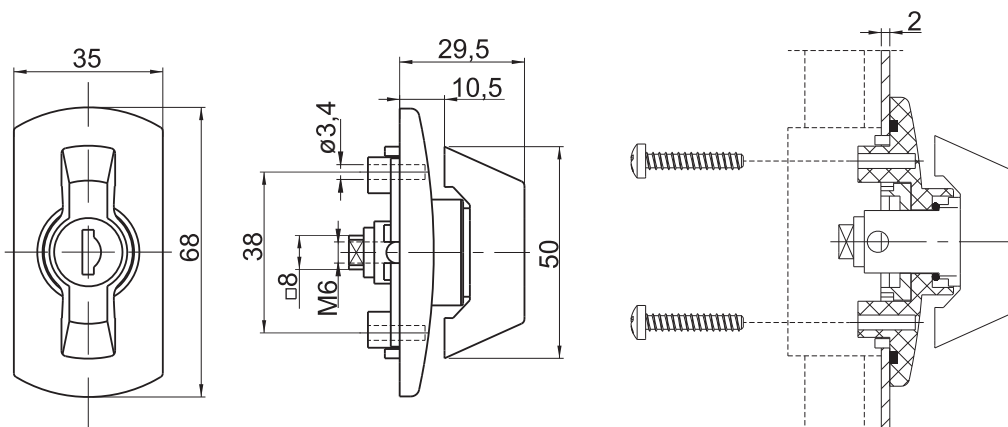


NOTE:  
Additional components  
of locks:  
**RW200.N, RW200.M,**  
on pages: 1A-5, 1A-6.

| TYPE OF LOCK       | COMPONENTS | MATERIAL              | FINISH [C] |
|--------------------|------------|-----------------------|------------|
| RW200.N<br>RW200.M | Body       | Polyamide<br>PA6 GF30 | RAL 9005   |
|                    |            |                       | 07         |

How to order : **RW110.N** — **[C]**  
 Type of lock  
 Finish

## WING-KNOB LOCK RW500



| TYPE OF LOCK     |                |              | COMPONENTS | MATERIAL           | FINISH [C] |
|------------------|----------------|--------------|------------|--------------------|------------|
| Insert code 1333 | Different code | No insert    |            |                    |            |
| 1B.RW500.001     | 1B.RW500.002   | 1B.RW500.003 | Body       | Polyamide PA6 GF30 | 07         |
|                  |                |              | Knob       | ZAMAK              | 04         |