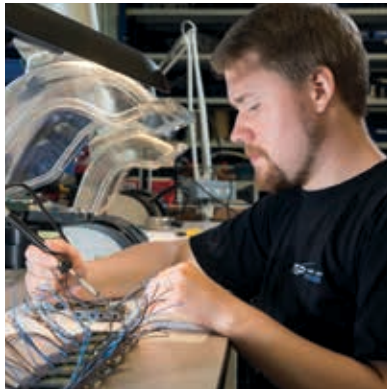
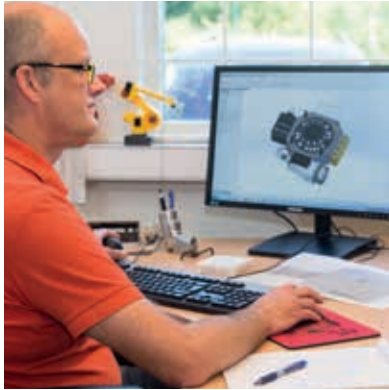


Robot System Products

Product catalog



ROBOT SYSTEM PRODUCTS HAS A WIDE RANGE OF ROBOT PERIPHERAL PRODUCTS:
Tool changers | Swivels | Swivels with tool changer | Grippers | Hose packages | Valve units | Tool systems



The company

Robot System Products is a front-rank provider of peripheral products for high performance robot applications. We provide complete tool system solutions for your robot installations, aiming to improve your productivity with the most reliable and cost-effective tooling on the market. Continuously we explore emerging technologies, working with leading edge design.

Local presence worldwide

As a global company, Robot System Products has subsidiaries and distribution partners in more than 20 countries. Our headquarters is located in Västerås, Sweden.

Products

Our products are available for all major robot brands and come with complete documentation.

We offer:

- Tool changers
- Swivels
- Swivels with tool changer
- Grippers
- Hose packages
- Valve units
- Tool systems
- Tool stands

Contents

TOOL CHANGERS AND TOOL ATTACHMENTS	6
TC/TA5	8
TC/TA20	10
TC/TA60	12
TC/TA100	14
TC/TA120	16
TC/TA180	18
TC/TA240	20
TC/TA250	22
TC/TA350	26
TC/TA480	30
TC/TA720	32
TC/TA1000	34
SWIVELS WITH TOOL CHANGERS AND TOOL ATTACHMENTS	36
STC/TA20	38
STC/TA100	40
STC/TA250	44
STC/TA350	48
SWIVELS	52
S20	54
S100	56
S250	60
S350	62
ADAPTATION KITS	64
Adaptation kits for tool changers	66
Adaptation kits for swivels and swivels with tool changers	68
HOSE PACKAGES	70
Hose packages for swivel solutions – upper arm	72
Hose packages for general solutions – upper arm	75
Hose packages for general solutions – lower arm	80
Hose package accessories	82
VALVE UNITS	84
Small valve units	86
Extended small valve units	88
Large valve units	90
GRIPPERS	94
Gripper frame	96
Other grippers	97
HOW TO ORDER	98
DRESSING ROBOTS WORLDWIDE	100

See our separate catalogs for **GRIPPERS** and **SPOTWELDING**



Tool changers and tool attachments

Tool changers

Robot System Products tool changers are designed to maximize the flexibility and reliability of your robot fleet. Robustness and high safety are combined with low weight and compactness. Depending on model and options, electrical signals, weld and servo power, data, water and compressed air are transferred from the robot side to the tool.

The patented locking device TrueConnect™ has a minimum of play and gives a practically, through the lifespan, absolute positioning repeatability. The principle behind the locking mechanism is the uniform distribution of load, obtained by pressing locking balls into spherical grooves. In consequence, substantially larger positional tolerances are accepted during docking.

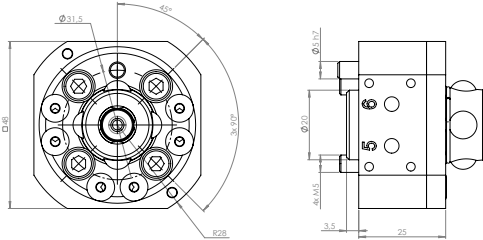
RSP Tool changers are designed to make it possible for you to perform tool changing operations continuously day out and day in.

- Robust design for high torque applications
- Fast docking with high tolerance
- Absolute positioning repeatability
- 3D-models for Robot CAD-systems
- Low maintenance and high uptime

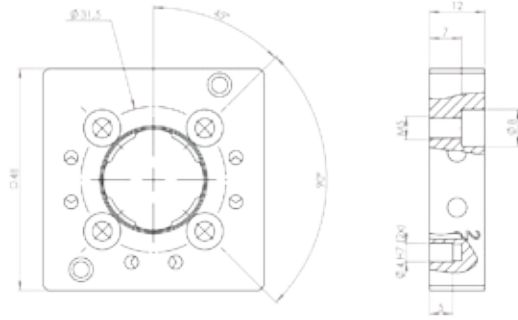


Tool changers and tool attachments

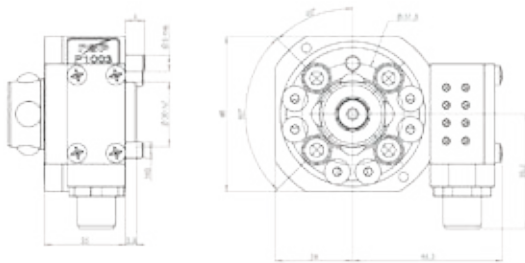
P1001
Tool changer TC5-6



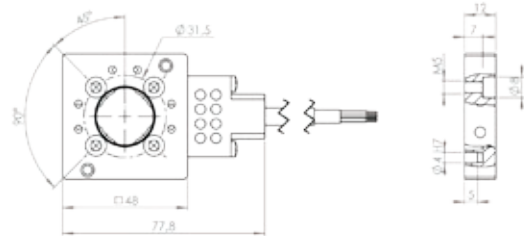
P1002
Tool attachment TA5-6



P1003
Tool changer TC5-4E



P1004
Tool attachment TA5-4E



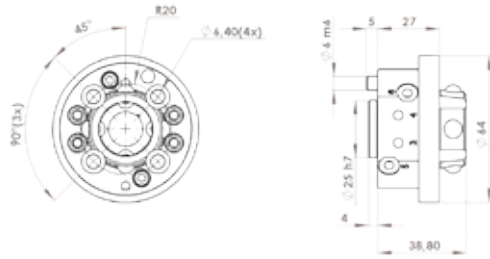
TC/TA5

Type	TC5-6	TA5-6	TC5-4E	TA5-4E
Article number	P1001	P1002	P1003	P1004
Weight (kg)	0.2	0.1	0.3	0.1
Mechanical interface	ISO 9409-1 31.5-4-M5			
Working temperature	+10°C – +60°C			
IP classification	IP 54			
Maximum tool load				
Fz (static)	± 50 N			
Mz (dynamic)	± 50 Nm			
Mx/My (dynamic)	± 50 Nm			
Air ducts				
Number of air ducts	6		4	
Dedicated air ducts	1 TC Open (6–10 bar)	–	1 TC Open (6–10 bar)	–
	1 TC Close (6–10 bar)	–	1 TC Close (6–10 bar)	–
Max air pressure	10 bar			
Air flow / channel	100 l/min			
Air connection	M5			
Pneumatic valves	–			
Air quality	Oil-clean and waterless filtered air, with max 25µm particle content			
Electrical signals				
Number of signals	–		8	
Max current	–		1A	
Max voltage	–		60V	
Connections	–		M12 8P	0.8 m 8 x 0.25 cable open end

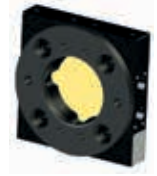
Options	Article number	Description
Options to TC5-6 (TC5-6 can hold two external options)	P1013	8 signals (1 included in TC5-4E)
Options to TA5-6 (TA5-6 can hold two external options)	P1014	8 signals (1 included in TA5-4E)
	P1005	Tool stand kit 5
Adaptation kit for TC5	For information about installation on other mechanical interfaces see chapter: "Adaptation kits for tool changers"	

Tool changers and tool attachments

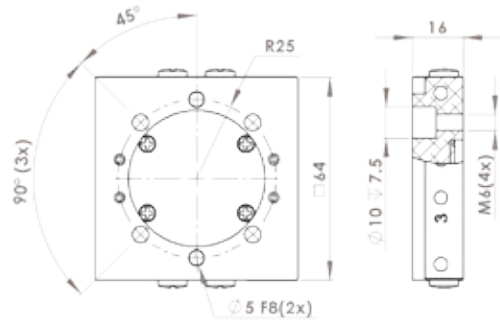
P0101
Tool changer TC20-4



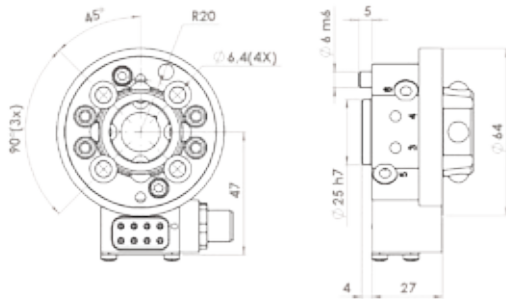
P0102
Tool attachment TA20-4



P0123
Tool attachment TA20-4, steel



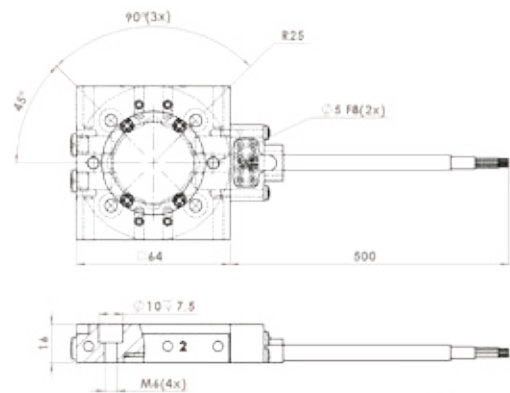
P0103
Tool changer TC20-4E



P0104
Tool attachment TA20-4E



P0124
Tool attachment TA20-4E, steel



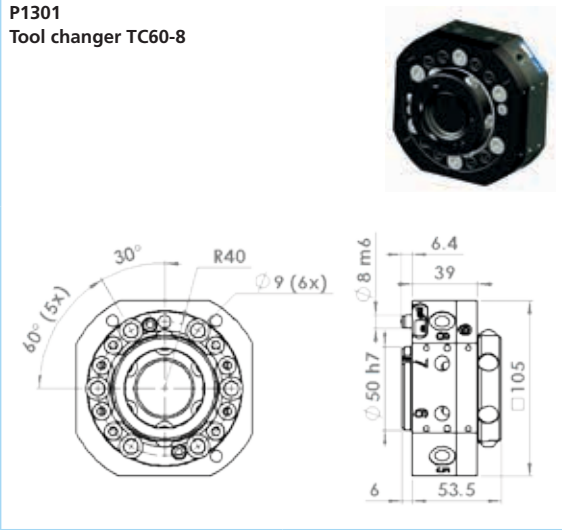
TC/TA20

Type	TC20-4	TA20-4	TA20-4 steel	TC20-4E	TA20-4E	TA20-4E steel
Article number	P0101	P0102	P0123	P0103	P0104	P0124
Weight (kg)	0.4	0.1	0.3	0.4	0.2	0.3
Mechanical interface	ISO 9409-1 40-4-M6	ISO 9409-1 50-4-M6	ISO 9409-1 50-4-M6	ISO 9409-1 40-4-M6	ISO 9409-1 50-4-M6	ISO 9409-1 50-4-M6
Working temperature	+10°C – +60°C					
IP classification	IP 54					
Maximum tool load						
Fz (static)	± 200 N					
Mz (dynamic)	± 100 Nm					
Mx/My (dynamic)	± 200 Nm	± 100 Nm	± 200 Nm	± 200 Nm	± 100 Nm	± 200 Nm
Air ducts						
Number of air ducts	4					
Dedicated air ducts	1 TC Open (6–10 bar)	–		1 TC Open (6–10 bar)	–	
	1 TC Close (6–10 bar)	–		1 TC Close (6–10 bar)	–	
Max air pressure	10 bar					
Air flow / channel	150 l/min					
Air connection	M5					
Pneumatic valve	–					
Air quality	Oil-clean and waterless filtered air, with max 25µm particle content					
Electrical signals						
Number of signals	–			8		
Dedicated signals	–					
	–					
	–					
	–					
Max current	–			1A		
Max voltage	–			60V		
Connections	–			M12 8P	8x 0.25mm ² cable	

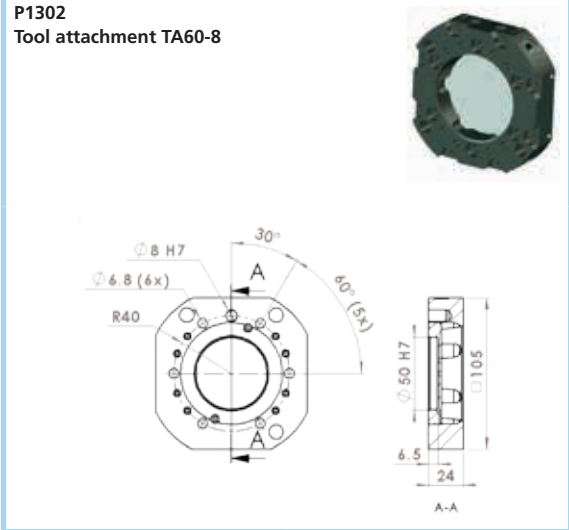
Options	Article number	Description
Options to TC20 (TC20-4 can hold two external options)	P1113	8 signals (1 included in TC20-4E)
	P1115	4 additional air
Options to TA20 (TA20-4 can hold two external options)	P1114	8 signals (1 included in TA20-4E)
	P1116	4 additional air
	P0142	Tool stand kit 20
Cables for TC20 (robot side)	P0025	2 m signal cable M12 8P – M12 8S
	P0025-30	3 m signal cable M12 8P – M12 8S
Adaptation kit for TC20	For information about installation on other mechanical interfaces see chapter: "Adaptation kits for tool changers"	

Tool changers and tool attachments

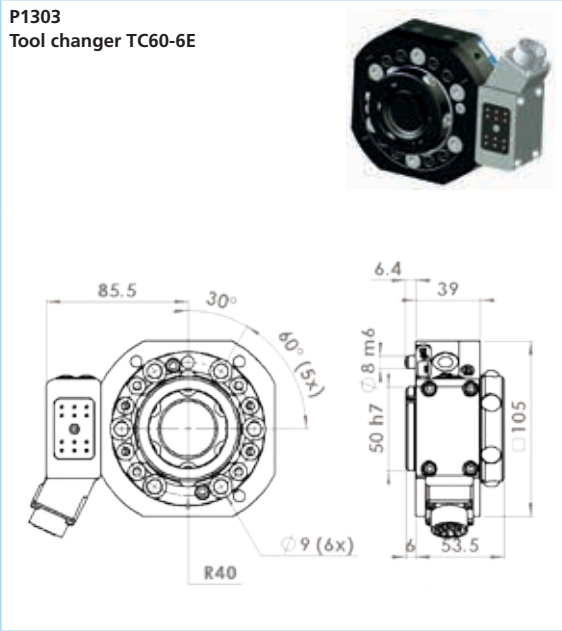
P1301
Tool changer TC60-8



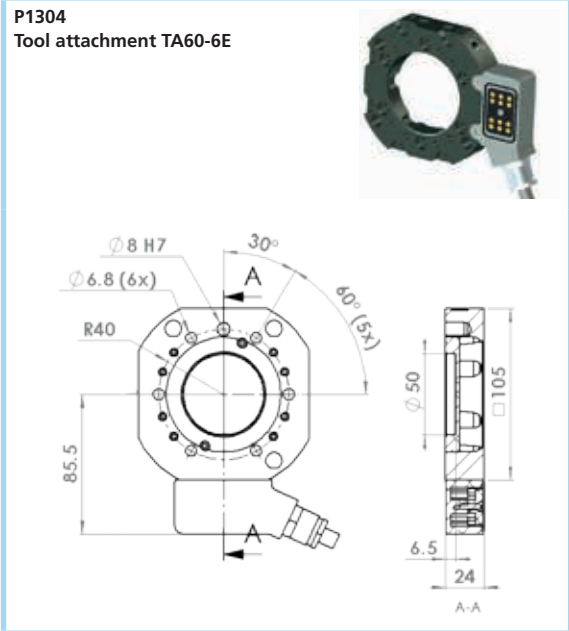
P1302
Tool attachment TA60-8



P1303
Tool changer TC60-6E



P1304
Tool attachment TA60-6E



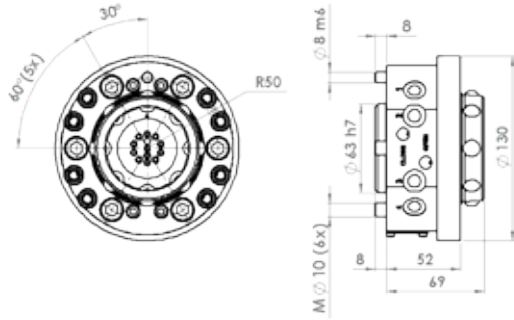
TC/TA60

Type	TC60-8	TA60-8	TC60-6E	TA60-6E
Article number	P1301A	P1302	P1303A	P1304
Weight (kg)	1.8	1.0	1.9	1.1
Mechanical interface	ISO 9409-1 80-6-M8			
Working temperature	+10°C – +60°C			
IP classification	IP 54			
Maximum tool load				
Fz (static)	± 600 N			
Mz (dynamic)	± 500 Nm			
Mx/My (dynamic)	± 600 Nm			
Air ducts				
Number of air ducts	10	8	10	8
Dedicated air ducts	1 TC Open (6–10 bar)	–	1 TC Open (6–10 bar)	–
	1 TC Close (6–10 bar)	–	1 TC Close (6–10 bar)	–
Max air pressure	10 bar			
Air flow / channel	400 l/min			
Air connection	G 1/8"			
Pneumatic valve	–			
Air quality	Oil-clean and waterless filtered air, with max 25µm particle content			
Electrical signals				
Number of signals	–		12	
Max current	–		1A	
Max voltage	–		60V	
Connections	–		12P Souriau	0.5m 12x 0.5mm ² open end

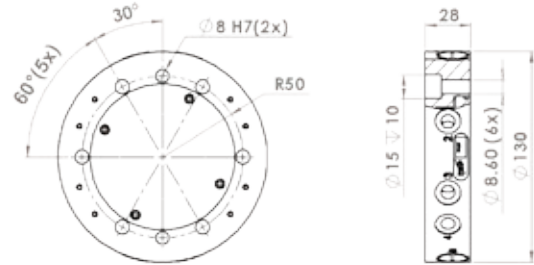
Options	Article number	Description
Options to TC60-8	P1305	Signal interface 12P Souriau, 12 signals (included in TC60-6E)
	P1307	Power signal interface 12P Souriau, 8 power signals (option P1314 is recommended)
	P1311	Signal interface 19P Compact Souriau + 2xM8, 17+2 signals
	P1314	Guide pins
	P1324	Magnetic sensors Open/Close (requires option P1311 or P1320)
	P1322	High power module, 2 power signals
	P1325	2 3/8" air
	P1328	Signal interface 12P Souriau, 6 signals twisted pairs (bus)
	P1338	Signal interface 32P Compact Souriau + 2xM8, 30+2 signals
	P1320	17 signals, hollow wrist manifold
Options to TA60-8	P1306	Signal interface 1,0m cable with open end, 12 signals (1 included in TA60-8E)
	P1308	Power signal interface 1,0m cable with open end, 8 power signals
	P1312	Signal interface 1,0m cable with open end, 17 signals
	P1313	Tool attachment brackets kit up to 50kg load
	P1323	High power module, 2 power signals
	P1326	2 3/8" air
	P1329	Signal interface 1,0m cable with open end, 6 signals twisted pairs (bus)
	P1331	Tool attachment bracket up to 60kg load for TA60
	P1339	Signal interface 1,0m cable with open end, 30 signals
	P0423	Tool stand kit 100/60
Cables and connectors for TC60 (robot side)	P8116-30	3 m signal cable 12S Souriau – open end
	P8006	12S Souriau connector
	P8134-30	3 m signal cable 12S Souriau power – open end
	P8149-30	3 m signal cable 19S compact Souriau – open end
	P8008	19S compact Souriau connector
Adaptation kit for TC60	For information about installation on other mechanical interfaces see chapter: "Adaptation kits for tool changers"	

Tool changers and tool attachments

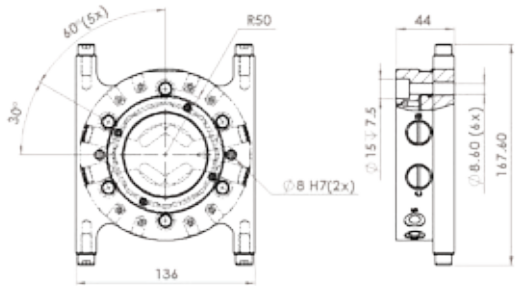
P0401
Tool changer TC100-8



P0407
Tool attachment TA100-8, round



P0402
Tool attachment TA100-8, square



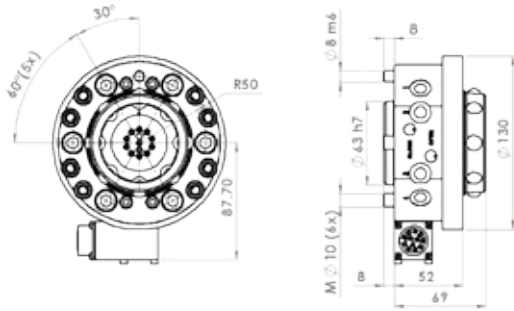
TC/TA100

Type	TC100-8	TA100-8, round	TA100-8, square
Article number	P0401	P0407	P0402
Weight (kg)	2.9	1.5	2.2
Mechanical interface	ISO 9409-1 100-6-M10		
Working temperature	+10°C – +60°C		
IP classification	IP 54		
Maximum tool load			
Fz (static)	± 1000 N		
Mz (dynamic)	± 1000 Nm		
Mx/My (dynamic)	± 1000 Nm		
Air ducts			
Number of air ducts	10	8	
Dedicated air ducts	1 TC Open (6–10 bar)	–	
	1 TC Close (6–10 bar)	–	
Max air pressure	10 bar		
Air flow / channel	800 l/min		
Air connection	G 1/8"		
Pneumatic valve	–		
Air quality	Oil-clean and waterless filtered air, with max 25µm particle content		

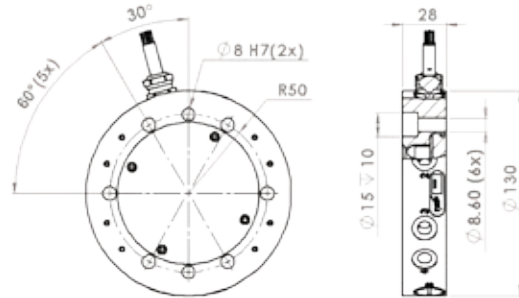
Options	Article number	Description
Options to TA100	P0423	Tool stand kit 100/60
Adaptation kit for TC100	For information about installation on other mechanical interfaces see chapter: "Adaptation kits for tool changers"	

Tool changers and tool attachments

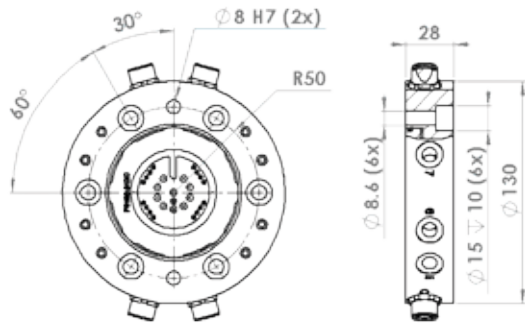
P0403
Tool changer TC100-8E



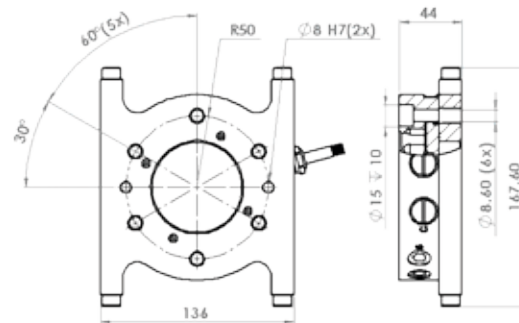
P0409
Tool attachment TA100-8E, round



P0418
Tool attachment TA100-8E, round



P0404
Tool attachment TA100-8E, square



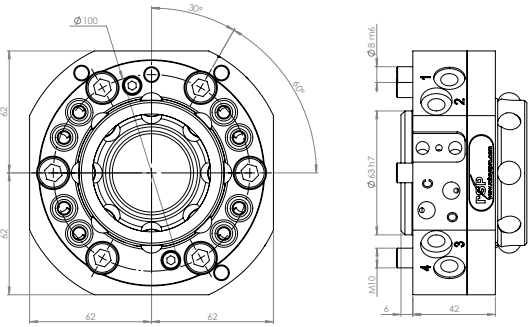
TC/TA100

Type	TC100-8E	TA100-8E, round	TA100-8E, round	TA100-8E, square
Article number	P0403	P0409	P0418	P0404
Weight (kg)	3.0	1.5	1.5	2.2
Mechanical interface	ISO 9409-1 100-6-M10			
Working temperature	+10°C – +60°C			
IP classification	IP 54			
Maximum tool load				
Fz (static)	± 1000 N			
Mz (dynamic)	± 1000 Nm			
Mx/My (dynamic)	± 1000 Nm			
Air ducts				
Number of air ducts	10	8		
Dedicated air ducts	1 TC Open (6–10 bar)	–		
	1 TC Close (6–10 bar)	–		
Max air pressure	10 bar			
Air flow / channel	800 l/min			
Air connection	G 1/8"			
Pneumatic valve	–			
Air quality	Oil-clean and waterless filtered air, with max 25µm particle content			
Electrical signals				
Number of signals	12	10	16	10
Dedicated signals	1 x 24V DC		4 x 24V DC	1 x 24V DC
	1 x 0V DC		4 x 0V DC	1 x 0V DC
	1 TC Opened	–		
	1 TC Coupled	–		
Max current	2A			
Max voltage	60V			
Connections	12P Souriau	1m 10 x 0.5mm ² cable	4 x M12 4S	1m 10 x 0.5mm ² cable

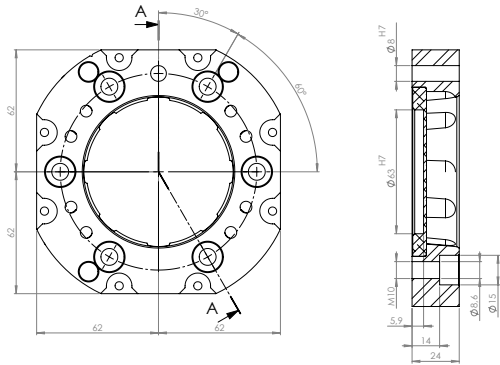
Options	Article number	Description
Cables and connectors for TC100-8E	P8116-40	4 m signal cable 12S Souriau – open end
	P8006	12S Souriau connector
Options to TA100	P0423	Square tool attachment brackets kit 100/60
Adaptation kit for TC100	For information about installation on other mechanical interfaces see chapter: "Adaptation kits for tool changers"	

Tool changers and tool attachments

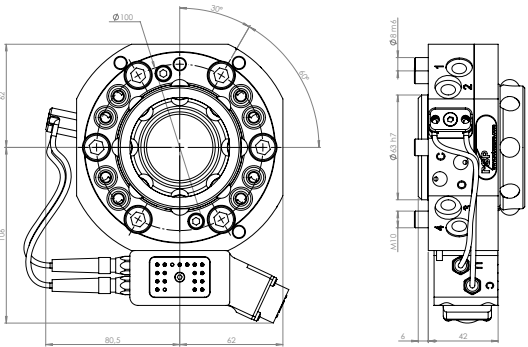
P1401
Tool changer TC120-8



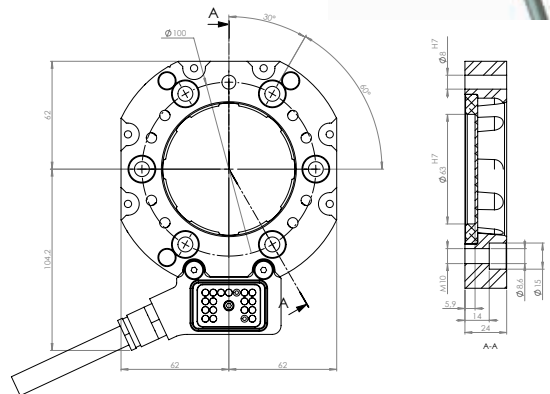
P1402
Tool attachment TA120-8



P1403
Tool changer TC120-8E



P1404
Tool attachment TA120-8E



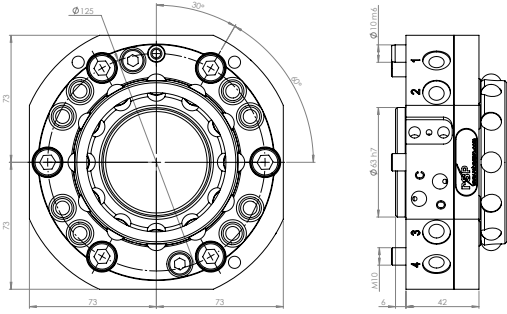
TC/TA120

Type	TC120-8	TA120-8	TC120-8E	TA120-8E
Article number	P1401	P1402	P1403	P1404
Weight (kg)	3.4	1.8	3.6	1.9
Mechanical interface	ISO 9409-1-100-6-M10			
Working temperature	+10°C – +60°C			
IP classification	IP 54			
Maximum tool load				
Fz (static)	± 1200 N			
Mz (dynamic)	± 1000 Nm			
Mx/My (dynamic)	± 1000 Nm			
Air ducts				
Number of air ducts	10	8	10	8
Dedicated air ducts	1 TC Open (6–10 bar)	–	1 TC Open (6–10 bar)	–
	1 TC Close (6–10 bar)	–	1 TC Close (6–10 bar)	–
Max air pressure	10 bar			
Air flow / channel	700 l/min			
Air connection	G 1/8"			
Pneumatic valve	–			
Air quality	Oil-clean and waterless filtered air, with max 25µm particle content			
Electrical signals				
Number of signals	–	–	19	17
Dedicated signals	–	–	1 x 24V	1 x 24V
	–	–	1 x 0V	1 x 0V
	–	–	1 TC Opened	–
	–	–	1 TC Closed	–
Max current	–	–	1A	–
Max voltage	–	–	60V	–
Connections	–	–	19P Souriau Compact	1,0m 17 x 0,34mm ² cable

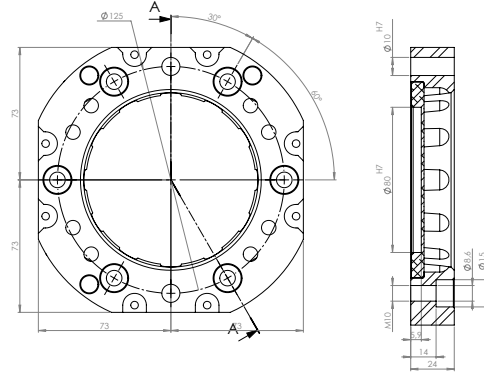
Options	Article number	Description
Options for TC120	P1305	Signal interface 12P Souriau, 12 signals
	P1307	Power signal interface 12P Souriau, 8 power signals (option P1314 is recommended)
	P1311	Signal interface 19P Compact Souriau + 2 x M8, 17+2 signals (included in TC120-8E)
	P1314	Guide pins
	P1324	Magnetic sensors Open/Close (requires option P1311) (included in TC120-8E)
	P1322	High power module, 2 power signals
	P1325	2 3/8" air
	P1328	Signal interface 12P Souriau, 6 signals twister pairs (bus)
	P1338	Signal interface 32P Compact Souriau + 2 x M8, 30+2 signals
Options for TA120	P1306	Signal interface 1,0m cable with open end, 12 signals
	P1308	Power signal interface 1,0m cable with open end, 8 power signals
	P1312	Signal interface 1,0m cable with open end, 17 signals (included in TA120-8E)
	P1323	High power module, 2 power signals
	P1326	2 3/8" air
	P1329	Signal interface 1,0m cable with open end, 6 signals twister pairs (bus)
	P1339	Signal interface 1,0m cable with open end, 30 signals
	P1405	Tool attachment bracket up to 120 kg load for TA120
	P0423	Tool stand kit
Cables and connectors for TC120 (robot side)	P8116-30	3.0 m signal cable 12S – free end
	P8134-30	3.0 m signal cable 12S power – free end
	P8149-30	3.0 m signal cable 19S compact – free end
	P8006	12S Souriau connector
	P8008	19S compact Souriau connector
Adaptation kit for TC120	For information about installation on other mechanical interfaces see chapter: "Adaptation kits for tool changers"	

Tool changers and tool attachments

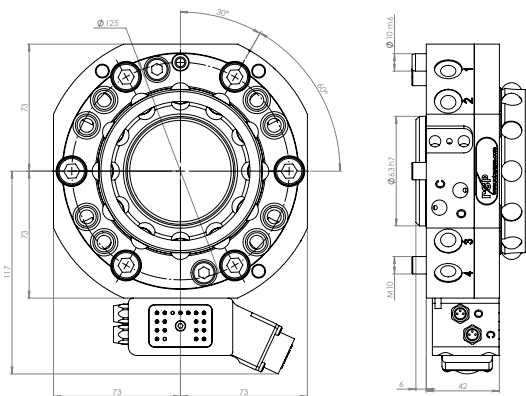
P1801
Tool changer TC180-8



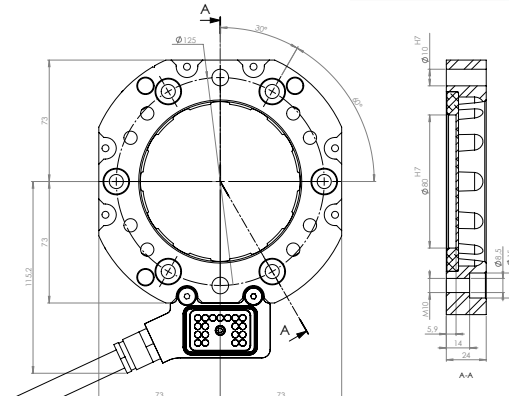
P1802
Tool attachment TA180-8



P1803
Tool changer TC180-6E



P1804
Tool attachment TA180-6E



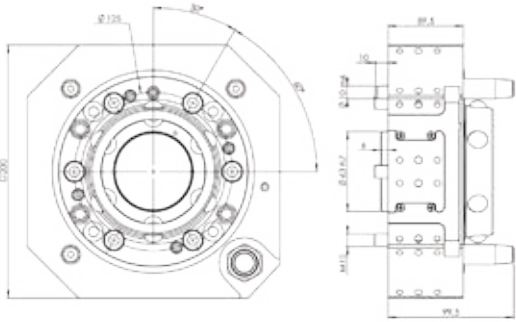
TC/TA180

Type	TC180-8	TA180-8	TC180-8E	TA180-8E
Article number	P1801	P1802	P1803	P1804
Weight (kg)	3.4	1.8	3.6	1.9
Mechanical interface	ISO 9409-1-125-6-M10			
Working temperature	+10°C – +60°C			
IP classification	IP 54			
Maximum tool load				
Fz (static)	± 1800 N			
Mz (dynamic)	± 1250 Nm			
Mx/My (dynamic)	± 1800 Nm			
Air ducts				
Number of air ducts	10	8	10	8
Dedicated air ducts	1 TC Open (6–10 bar)	–	1 TC Open (6–10 bar)	–
	1 TC Close (6–10 bar)	–	1 TC Close (6–10 bar)	–
Max air pressure	10 bar			
Air flow / channel	1200 l/min			
Air connection	G 1/8"			
Pneumatic valve	–			
Air quality	Oil-clean and waterless filtered air, with max 25µm particle content			
Electrical signals				
Number of signals	–	–	19	17
Dedicated signals	–	–	1 x 24V	1 x 24V
	–	–	1 x 0V	1 x 0V
	–	–	1 TC Opened	–
	–	–	1 TC Closed	–
Max current	–	–	1A	–
Max voltage	–	–	60V	–
Connections	–	–	19P Souriau Compact	1,0m 17 x 0,34mm ² cable

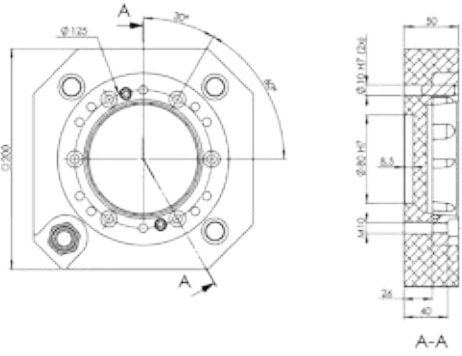
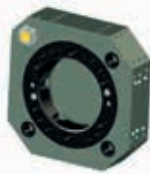
Options	Article number	Description
Options to TC180	P1305	Signal interface 12P Souriau, 12 signals
	P1307	Power signal interface 12P Souriau, 8 power signals (option P1314 is recommended)
	P1311	Signal interface 19P Compact Souriau + 2 x M8, 17+2 signals (included in TC180-8E)
	P1314	Guide pins
	P1324	Magnetic sensors Open/Close (requires option P1311) (included in TC180-8E)
	P1322	High power module, 2 power signals
	P1325	2 3/8" air
	P1328	Signal interface 12P Souriau, 6 signals twister pairs (bus)
	P1338	Signal interface 32P Compact Souriau + 2 x M8, 30+2 signals
Options to TA180	P1306	Signal interface 1,0m cable with open end, 12 signals
	P1308	Power signal interface 1,0m cable with open end, 8 power signals
	P1312	Signal interface 1,0m cable with open end, 17 signals (included in TA180-8E)
	P1323	High power module, 2 power signals
	P1326	2 3/8" air
	P1329	Signal interface 1,0m cable with open end, 6 signals twister pairs (bus)
	P1339	Signal interface 1,0m cable with open end, 30 signals
	P1805	Tool attachment bracket up to 180 kg load for TA180
	P0423	Tool stand kit
Cables and connectors for TC180 (robot side)	P8116-30	3.0 m signal cable 12S – free end
	P8134-30	3.0 m signal cable 12S power – free end
	P8149-30	3.0 m signal cable 19S compact – free end
	P8006	12S Souriau connector
	P8008	19S compact Souriau connector
Adaptation kit for TC180	For information about installation on other mechanical interfaces see chapter: "Adaptation kits for tool changers"	

Tool changers and tool attachments

P6701
Tool changer TC240-1



P6702
Tool attachment TA240-1



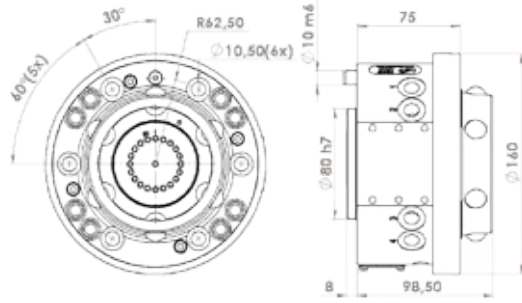
TC/TA240

Type	TC240-1	TA240-1	TC240-1	TA240-1
Article number	P6701A	P6702	P7701	P7702
Weight (kg)	8.3	5.1	8.3	5.1
Mechanical interface	ISO 9409-1 125-6-M10 (center tap both Ø63 and Ø80)		ISO 9409-1 125-10-M10 (center tap both Ø63 and Ø80)	
Working temperature	+10°C – +60°C			
IP classification	IP54			
Maximum tool load				
Fz (static)	± 2400N			
Mz (dynamic)	± 2000 Nm			
Mx/My (dynamic)	± 2400 Nm			
Air ducts				
Number of air ducts	3	1	3	1
Dedicated air ducts	1 TC Open (6–10 bar)	–	1 TC Open (6–10 bar)	–
	1 TC Close (6–10 bar)	–	1 TC Open (6–10 bar)	–
Max air pressure	10 bar			
Air flow / channel	2000 l/min			
Air connection	1x G 1/2", 2x G 1/8"	G 1/2"	1x G 1/2", 2x G 1/8"	G 1/2"
Pneumatic valve	–	–	Option P6718	–
Air quality	Oil-clean and waterless filtered air, with max 25µm particle content			
Electrical signals				
Number of signals	–			
Dedicated signals	–			
	–			
	–			
	–			
	–			
Max current	–			
Max voltage	–			
Connections	–			

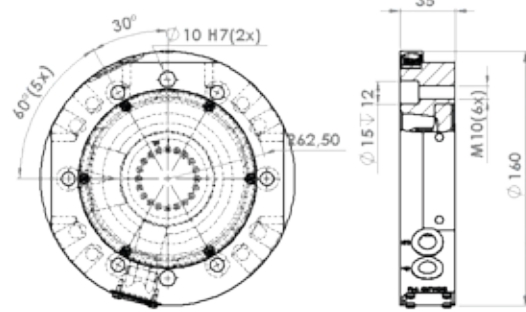
Options	Article number	Description
Options to TC240	P6738	Signal interface 23P Souriau + 3 M8, 17 + 6 sign
	P6711	Signal interface 23P Souriau, 23 signals
	P6712	Signal interface Harting
	P6713	Signal and servo interface Harting
	P6715	4 water/air couplings
	P6715-2	2 water/air couplings
	P6718	Integrated valve
	P6736	Servo interface 12P Souriau, 8 servo signals
	P6771	Profinet interface M12-D-code
	P6847	8 air G1/4"
Options to TA240	P6721	Signal interface 23S Souriau, 23 signals
	P6722	Signal interface Harting
	P6723	Signal and servo interface Harting
	P6725-2	2 water/air couplings
	P6725	4 water/air couplings
	P6737	Servo interface 12S Souriau, 8 servo signals
	P6739	Signal interface 19S Souriau 17 signals
	P6775	Profinet interface M12-D-code
	P6848	8 air G1/4"
	P8303	Tool plate
Cables and connectors for TC240 (robot side)	P8129-50	5 m signal/bus cable 23S Souriau – open end
	P8002	23 P Souriau connector
Cables and connectors for TA240 (tool side)	P8102-20	2 m signal cable 19P – open end
	P8003	19P Souriau connector
Adaptation kit for TC240	For information about installation on other mechanical interfaces see chapter: "Adaptation kits for tool changers"	
Tool stand components		Complete tool stands on request
	P8302	Tool hanger
	P8306A	Dust cover with end stroke sensors

Tool changers and tool attachments

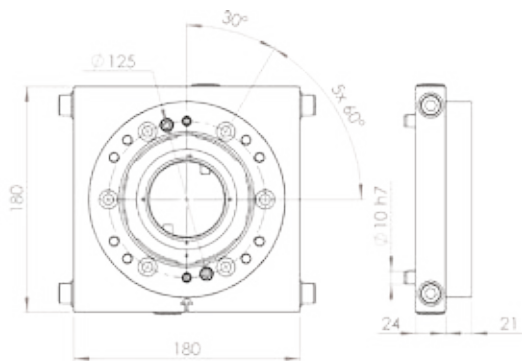
P6411
Tool changer TC250-8



P6417
Tool attachment TA250-8,
round



P6474
Tool attachment TA250-8,
square



TC/TA250

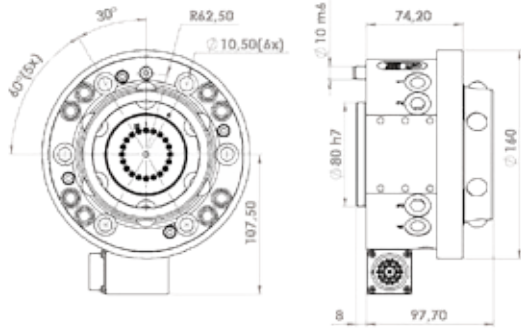
*TC250 fits robots with centering diameter (d3) 63mm and 80mm

Type	TC250-8	TA250-8, round	TA250-8, square
Article number	P6411	P6417	P6474
Weight (kg)	6.0	2.6	3.5
Mechanical interface	ISO 9409-1 125-6-M10*		
Working temperature	+10°C – +60°C		
IP classification	IP 54		
Maximum tool load			
Fz (static)	± 2000 N		
Mz (dynamic)	± 1250 Nm		
Mx/My (dynamic)	± 2000 Nm		
Air ducts			
Number of air ducts	10	8	
Dedicated air ducts	1 TC Open (6–10 bar)	–	
	1 TC Close (6–10 bar)	–	
Max air pressure	10 bar		
Air flow / channel	1600 l/min		
Air connection	G 1/4", 2x G 1/8"	G 1/4"	
Pneumatic valve	–		
Air quality	Oil-clean and waterless filtered air, with max 25µm particle content		

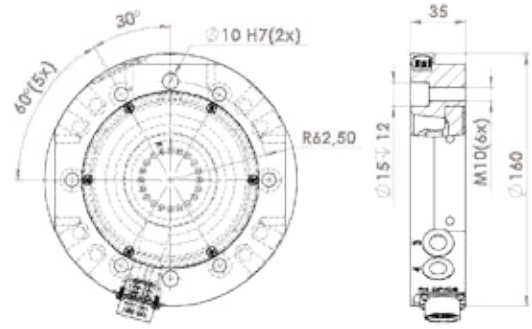
Options	Article number	Description
Options to TA250	P6472	Tool stand kit 250
Adaptation kit for TC250	For information about installation on other mechanical interfaces see chapter: "Adaptation kits for tool changers"	

Tool changers and tool attachments

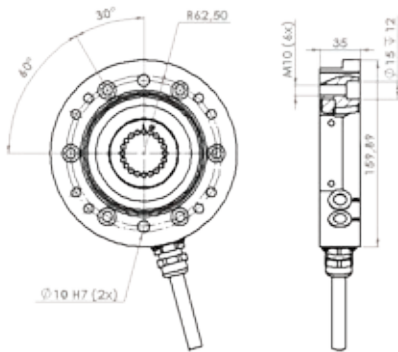
P6412
Tool changer TC250-8E



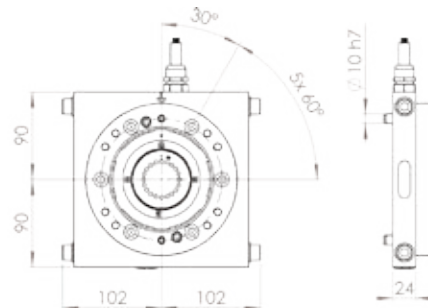
P6418
Tool attachment TA250-8E, round



P6431
Tool attachment TA250-8E, round



P6473
Tool attachment TA250-8E, square



TC/TA250

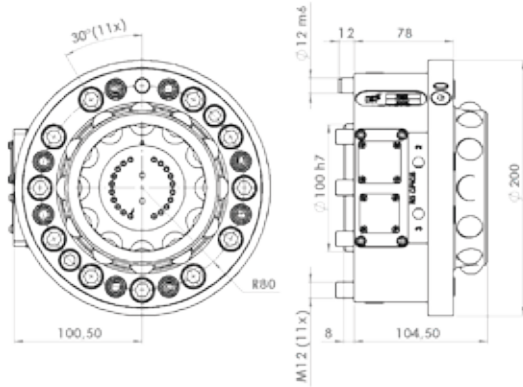
*TC250 fits robots with centering diameter (d3) 63mm and 80mm

Type	TC250-8E	TA250-8E, round	TA250-8E, round	TA250-8E, square
Article number	P6412	P6418	P6431	P6473
Weight (kg)	6.1	2.7	2.8	3.7
Mechanical interface	ISO 9409-1 125-6-M10*			
Working temperature	+10°C – +60°C			
IP classification	IP 54			
Maximum tool load				
Fz (static)	± 2000 N			
Mz (dynamic)	± 1250 Nm			
Mx/My (dynamic)	± 2000 Nm			
Air ducts				
Number of air ducts	10	8		
Dedicated air ducts	1 TC Open (6–10 bar)	–		
	1 TC Close (6–10 bar)	–		
Max air pressure	10 bar			
Air flow / channel	1600 l/min			
Air connection	G 1/4", 2x G 1/8"	G 1/4"		
Pneumatic valve	–			
Air quality	Oil-clean and waterless filtered air, with max 25µm particle content			
Electrical signals				
Number of signals	21	19		
Dedicated signals	1 x 24V DC			
	1 x 0V DC			
	1 TC Opened	–		
	1 TC Coupled	–		
Max current	2A			
Max voltage	60V			
Connections	23P Souriau	19S Compact Souriau	1m 20 x 0.5mm ² cable with open end	

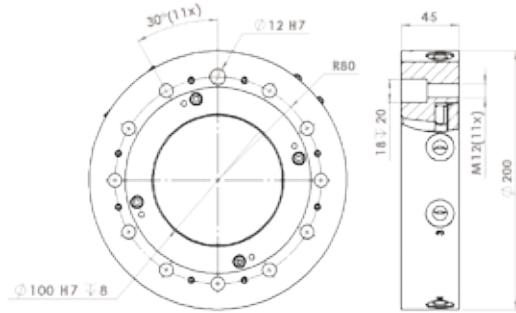
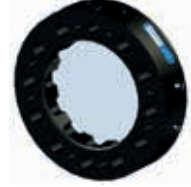
Options	Article number	Description
Options to TA250	P6472	Tool stand kit 250
Cables and connectors for TC250-8E (robot side)	P8129-50	5 m signal/bus cable 23S Souriau – open end
	P8002	23S Souriau connector
Cables and connectors for TA250-8E (tool side)	P8105-20	2 m signal cable 19P compact – open end
	P8007	19P compact Souriau connector
Adaptation kit for TC250	For information about installation on other mechanical interfaces see chapter: "Adaptation kits for tool changers"	

Tool changers and tool attachments

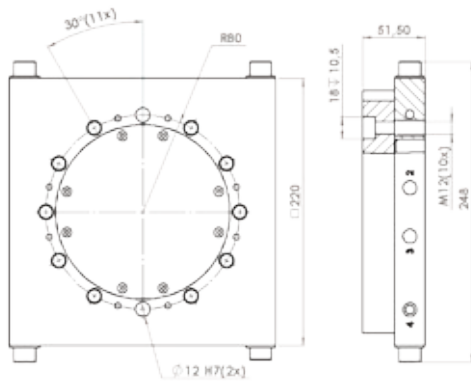
P0601
Tool changer TC350-8



P0606
Tool attachment TA350-8, round



P0602
Tool attachment TA350-8, square



TC/TA350

Type	TC350-8	TA350-8, round	TA350-8, square
Article number	P0601	P0606	P0602
Weight (kg)	10.5	5.3	5.7
Mechanical interface	ISO 9409-1 160-11-M12		
Working temperature	+10°C – +60°C		
IP classification	IP 54		
Maximum tool load			
Fz (static)	± 3500 N		
Mz (dynamic)	± 3500 Nm		
Mx/My (dynamic)	± 3500 Nm		
Air ducts			
Number of air ducts	10	8	
Dedicated air ducts	1 TC Open (6–10 bar)	–	
	1 TC Close (6–10 bar)	–	
Max air pressure	10 bar		
Air flow / channel	1600 l/min		
Air connection	G 1/4", 2x G 1/8"	G 1/4"	
Pneumatic valve	–		
Air quality	Oil-clean and waterless filtered air, with max 25µm particle content		

Options	Article number	Description
Options to TA350-8	P0639	Tool stand kit 350
Adaptation kit for TC350	For information about installation on other mechanical interfaces see chapter: "Adaptation kits for tool changers"	

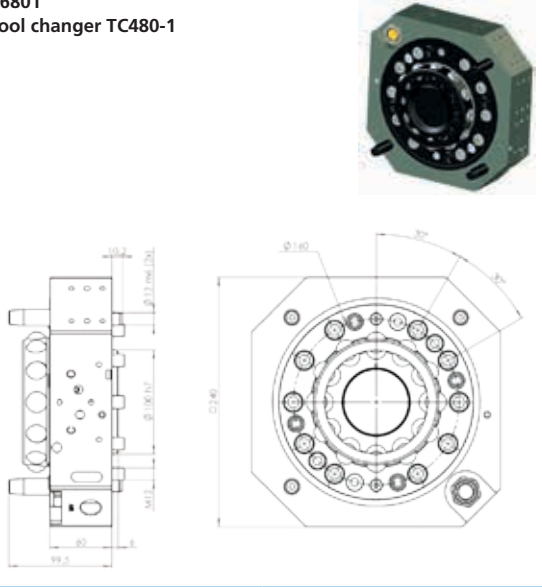
TC/TA350

Type	TC350-8E	TA350-8E, round	TA350-8E, square
Article number	P0603	P0608	P0604
Weight (kg)	10.5	5.5	6.2
Mechanical interface	ISO 9409-1 160-11-M12		
Working temperature	+10°C – +60°C		
IP classification	IP 54		
Maximum tool load			
Fz (static)	± 3500 N		
Mz (dynamic)	± 3500 Nm		
Mx/My (dynamic)	± 3500 Nm		
Air ducts			
Number of air ducts	10	8	
Dedicated air ducts	1 TC Open (6–10 bar)	–	
	1 TC Close (6–10 bar)	–	
Max air pressure	10 bar		
Air flow / channel	1600 l/min		
Air connection	G 1/4", 2x G 1/8"	G 1/4"	
Pneumatic valve	–		
Air quality	Oil-clean and waterless filtered air, with max 25µm particle content		
Electrical signals			
Number of signals	21	19	17
Dedicated signals	1 x 24V DC		
	1 x 0V DC		
	1 TC Opened	–	1 TC Close
	1 TC Coupled	–	–
Max current	2A		
Max voltage	60V		
Connections	23P Souriau	19S Souriau	1m 20 x 0.5mm ² cable

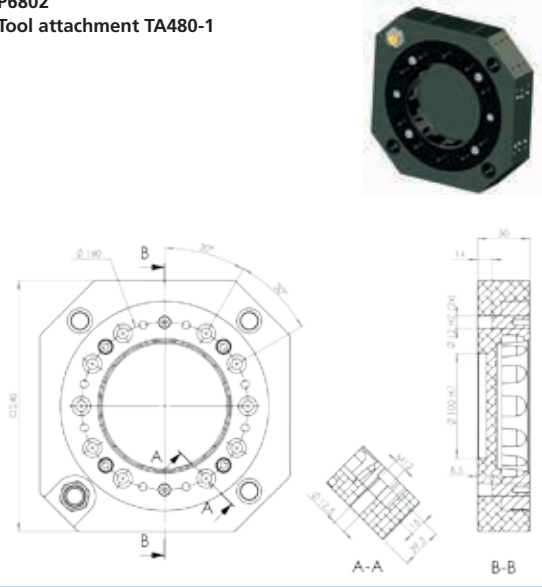
Options	Article number	Description
Options to TA350-8	P0639	Tool stand kit 350
Cables and connectors for TC350-8E (robot side)	P8129-50	5 m signal/bus cable 23S Souriau – open end
	P8002	23S Souriau connector
Cables and connectors for TA350-8E (tool side)	P8102-20	2 m signal cable 19P Souriau – open end
	P8003	19P Souriau connector
Adaptation kit for TC350	For information about installation on other mechanical interfaces see chapter: "Adaptation kits for tool changers"	

Tool changers and tool attachments

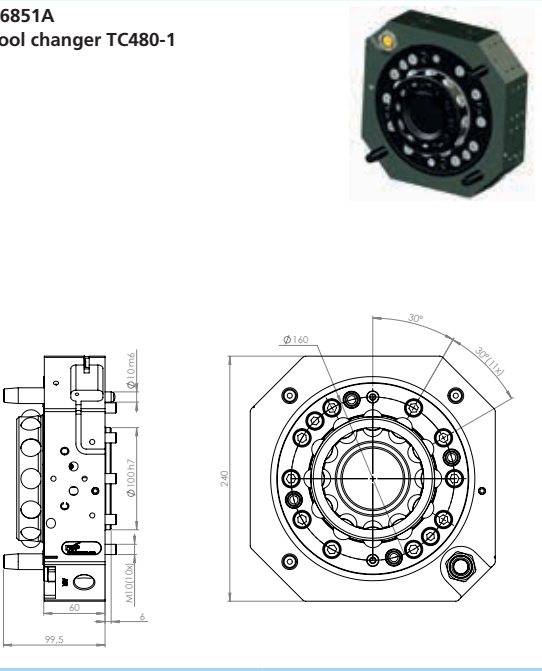
P6801
Tool changer TC480-1



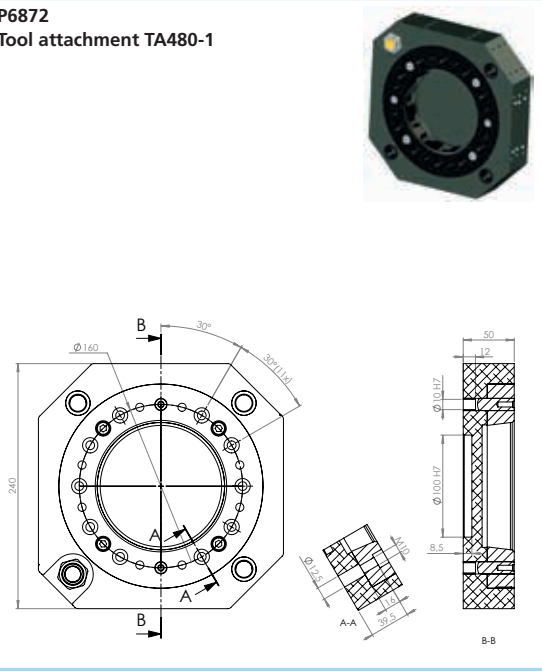
P6802
Tool attachment TA480-1



P6851A
Tool changer TC480-1



P6872
Tool attachment TA480-1



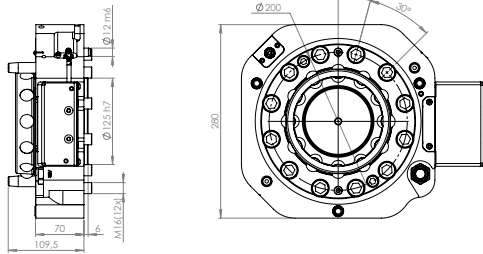
TC/TA480

Type	TC480-1	TA480-1	TC480-1	TA480-1
Article number	P6801	P6802	P6851A	P6872
Weight (kg)	13.1	7.7	13.1	7.7
Mechanical interface	ISO 9409-1 160-10-M12		ISO 9409-1 160-10-M10	
Working temperature	+10°C – +60°C			
IP classification	IP54			
Maximum tool load				
Fz (static)	± 5000 N			
Mz (dynamic)	± 3500 Nm			
Mx/My (dynamic)	± 5000 Nm			
Air ducts				
Number of air ducts	3	1	3	1
Dedicated air ducts	1 TC Open (6–10 bar)	–	1 TC Open (6–10 bar)	–
	1 TC Close (6–10 bar)	–	1 TC Open (6–10 bar)	–
Max air pressure	10 bar			
Air flow / channel	2000 l/min			
Air connection	1x G 1/2", 2x G 1/8"	G 1/2"	1x G 1/2", 2x G 1/8"	G 1/2"
Pneumatic valve	–	–	Option P6718	–
Air quality	Oil-clean and waterless filtered air, with max 25µm particle content			
Electrical signals				
Number of signals	–			
Dedicated signals	–			
Max current	–			
Max voltage	–			
Connections	–			

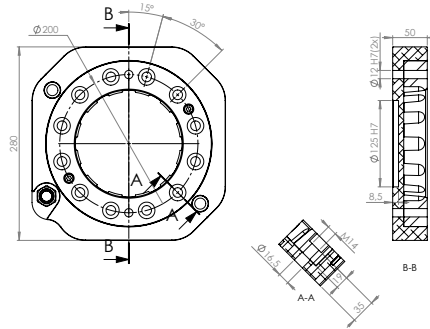
Options	Article number	Description	
Options to TC480	P6711	Signal interface 23P Souriau, 23 signals	
	P6712	Signal interface Harting	
	P6713	Signal and servo interface Harting	
	P6715-2	2 water/air couplings	
	P6715	4 water/air couplings	
	P6718	Integrated valve	
	P6736	Servo interface 12P Souriau, 8 servo signals	
	P6738	Signal interface 23P Souriau + 3 M8, 17 + 6 signals	
	P6771	Profinet interface M12-D-code	
	P6847	8 air G1/4"	
	P6873	Magnetic sensors open and close	
	Options to TA480	P6721	Signal interface 23S Souriau, 23 signals
		P6722	Signal interface Harting
P6723		Signal and servo interface Harting	
P6725-2		2 water/air couplings	
P6725		4 water/air couplings	
P6737		Servo interface 12S Souriau, 8 servo signals	
P6739		Signal interface 19S Souriau, 17 signals	
P6775		Profinet interface M12-D-code	
P6848		8 air G1/4"	
P8303		Tool plate	
Cables and connectors for TC480 (robot side)		P8129-50	5 m signal/bus cable 23S Souriau – open end
	P8002	23S Souriau connector	
Cables and connectors for TA480 (tool side)	P8102-20	2 m signal cable 19P – open end	
	P8003	19P Souriau connector	
Adaptation kit for TC480	For information about installation on other mechanical interfaces see chapter: "Adaptation kits for tool changers"		
Tool stand components		Complete tool stands on request	
	P8302	Tool hanger	
	P8306A	Dust cover with end stroke sensors	

Tool changers and tool attachments

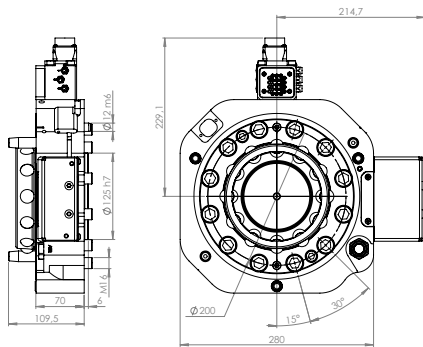
P6901
Tool changer TC720-1



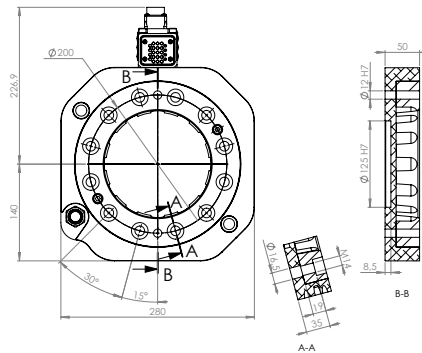
P6902
Tool attachment TA720-1



P6903
Tool changer TC720-1EV



P6904
Tool attachment TA720-1E



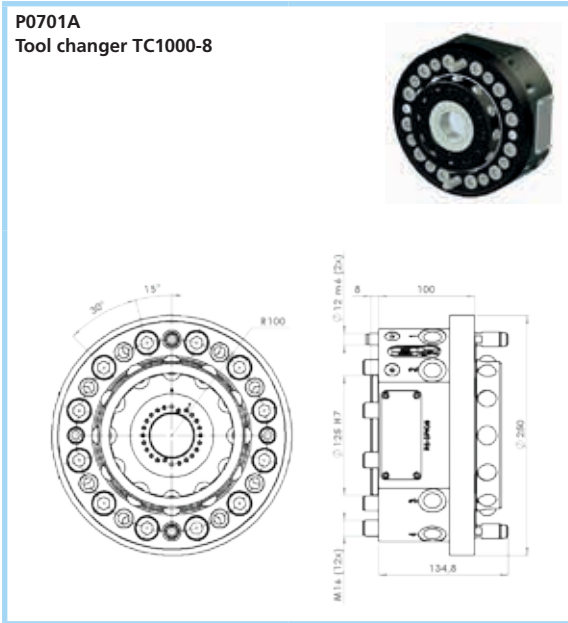
TC/TA720

Type	TC720-1	TA720-1	TC720-1EV	TA720-1E
Article number	P6901	P6902	P6903	P6904
Weight (kg)	20.4	10.8	21.0	11.0
Mechanical interface	ISO 9409-1 200-12-M16			
Working temperature	+10°C – +60°C			
IP classification	IP54			
Maximum tool load				
Fz (static)	± 10000 N			
Mz (dynamic)	± 10000 Nm			
Mx/My (dynamic)	± 10000 Nm			
Air ducts				
Number of air ducts	3	1	3	1
Dedicated air ducts	1 TC Open (6–10 bar)	–	1 TC Open (6–10 bar)	–
	1 TC Close (6–10 bar)	–	1 TC Close (6–10 bar)	–
Max air pressure	10 bar			
Air flow / channel	2000 l/min			
Air connection	G 1/2"			
Pneumatic valve	–			
Air quality	Oil-clean and waterless filtered air, with max 25µm particle content			
Electrical signals				
Number of signals	–			
Dedicated signals	–			
Max current	–			
Max voltage	–			
Connections	–			

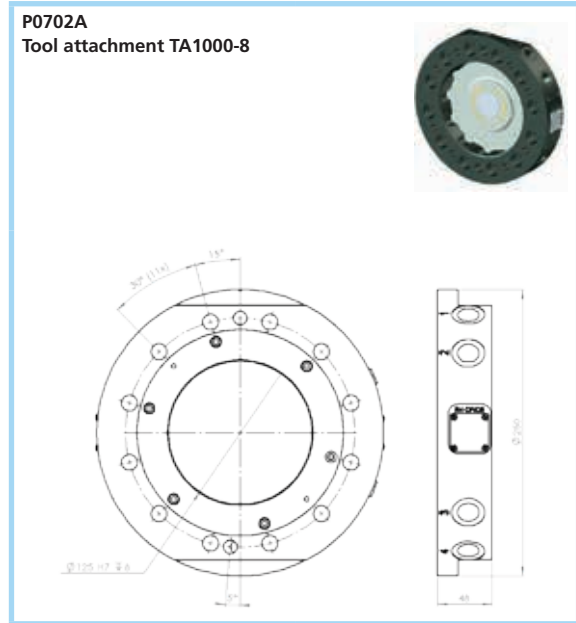
Options	Article number	Description
Options to TC720	P6711	Signal interface 23P Souriau, 23 signals
	P6712	Signal interface Harting
	P6713	Signal and servo interface Harting
	P6715-2	2 water/air couplings
	P6715	4 water/air couplings
	P6718	Integrated valve
	P6736	Servo interface 12P Souriau, 8 servo signals
	P6738	Signal interface 23P Souriau + 3 M8, 17 + 6 signals
	P6771	Profinet interface M12-D-code
	P6847	8 air G1/4"
Options to TA720	P6721	Signal interface 23S Souriau, 23 signals
	P6722	Signal interface Harting
	P6723	Signal and servo interface Harting
	P6725-2	2 water/air couplings
	P6725	4 water/air couplings
	P6737	Servo interface 12S Souriau, 8 servo signals
	P6739	Signal interface 19S Souriau, 17 signals
	P6775	Profinet interface M12-D-code
	P6848	8 air G1/4"
	P8303	Tool plate
Cables and connectors for TC720 (robot side)	P8129-50	5 m signal/bus cable 23S Souriau – open end
	P8002	23S Souriau connector
Cables and connectors for TA720 (tool side)	P8102-20	2 m signal cable 19P – open end
	P8003	19P Souriau connector
Adaptation kit for TC720	For information about installation on other mechanical interfaces see chapter: "Adaptation kits for tool changers"	
Tool stand components	Complete tool stands on request	
	P8302	Tool hanger
	P8306A	Dust cover with end stroke sensors

Tool changers and tool attachments

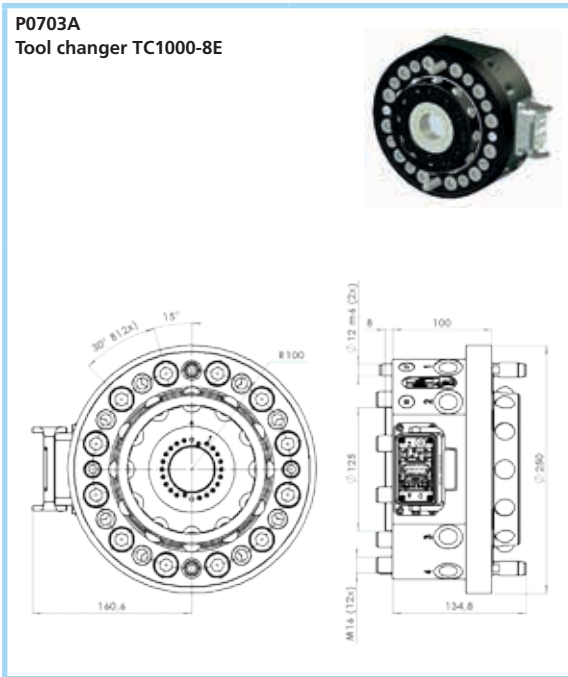
P0701A
Tool changer TC1000-8



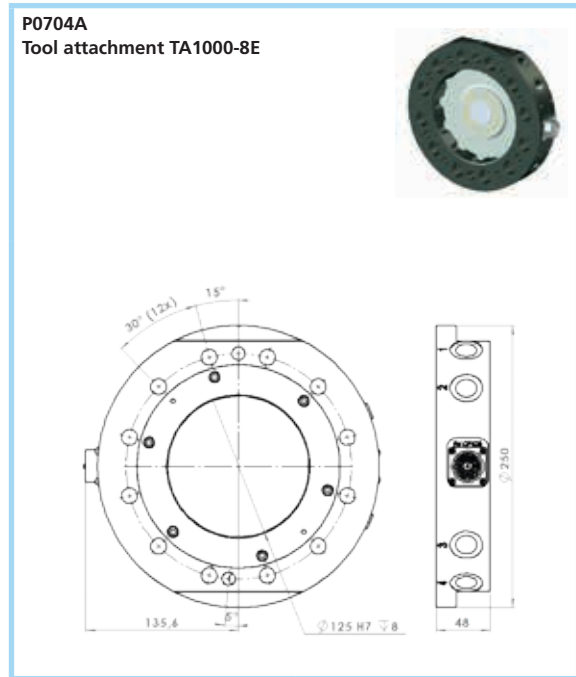
P0702A
Tool attachment TA1000-8



P0703A
Tool changer TC1000-8E



P0704A
Tool attachment TA1000-8E



TC/TA1000

Type	TC1000-8	TA1000-8	TC1000-8E	TA1000-8E
Article number	P0701A	P0702A	P0703A	P0704A
Weight (kg)	19.8	8.5	19.8	8.5
Mechanical interface	ISO 9409-1 200-12-M16			
Working temperature	+10°C – +60°C			
IP classification	IP 54			
Maximum tool load				
Fz (static)	± 10000 N			
Mz (dynamic)	± 10000 Nm			
Mx/My (dynamic)	± 10000 Nm			
Air ducts				
Number of Air ducts	10	8	10	8
Dedicated Air ducts	1 TC Open (6–10 bar)	–	1 TC Open (6–10 bar)	–
	1 TC Close (6–10 bar)	–	1 TC Close (6–10 bar)	–
Max Air pressure	10 bar			
Air flow / channel	2400 l/min			
Air connection	G 1/2", 2x G 1/8"	G 1/2"		
Pneumatic valve	–	Option P0705		–
Air quality	Oil-clean and waterless filtered air, with max 25µm particle content			
Electrical signals				
Number of signals	–	23		19
Dedicated signals	–	1 x 24V DC		
	–	2 x 0V DC		
	–	1 TC Opened	–	
	–	1 TC Coupled	–	
Max current	–	2A		
Max voltage	–	60V		
Connections	–	3-module Harting 10B		23S Souriau

Options	Article number	Description
Connectors for TC1000-8E	P8009	3-module Harting connector
Cables and connectors for TA1000-8E	P8112-20	2 m signal cable 23P Souriau – open end
	P8001	23P Souriau connector
Adaptation kit for TC1000	For information about installation on other mechanical interfaces see chapter: "Adaptation kits for tool changers"	

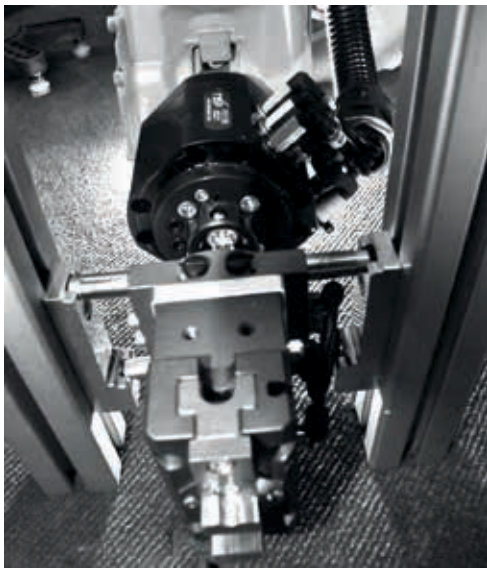


Swivels with tool changer and attachments

Swivels with tool changer

Robot System Products swivels with tool changers unite the best out of two technologies. With the TrueConnect™ tool changing mechanism integrated with our swivel technology, absolute positioning repeatability and large tolerances at docking is combined with full motional freedom of your robots – axis 6 is allowed to rotate freely without being limited by hoses, cables or other obstacles. Low weight, high corrosion resistance and a minimum of service requirements will maximize uptime and consequently enhance your productivity in all applications involving substantial robot motions.

- Fast docking with high tolerance
- Absolute positioning repeatability
- Free rotation axis 6
- No limits to axis 4 and 5 when used with RSP hose packages
- Low weight and high corrosion resistance
- Low maintenance and high uptime



Note!

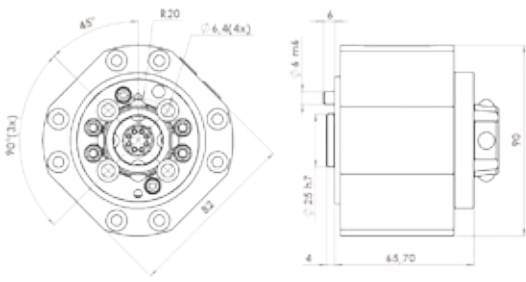
RSP's design of swivel units is based on the ISO standard for robot flanges. For the swivel unit to be able to function properly an adaptation kit has to be included. RSP provides a wide range of adaptation kits for different robot brands. If you do not find your robot model please contact RSP support.



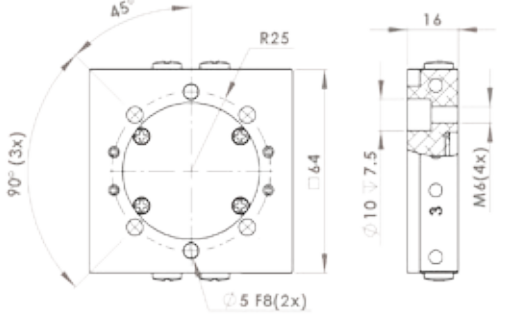
Swivels with tool changer and tool attachment

Swivel with tool changer

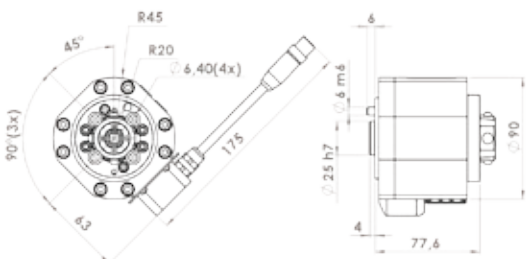
P0106A
Swivel with tool changer STC20-4



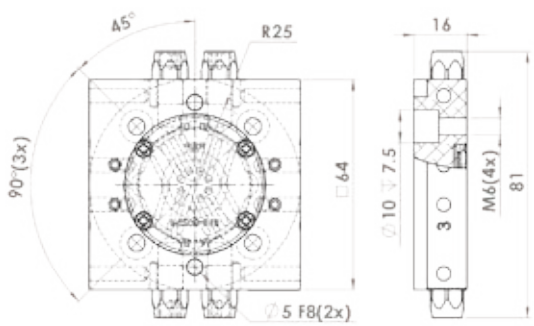
P0102
Tool attachment TA20-4
P0123
Tool attachment TA20-4, steel



P0108A
Swivel with tool changer STC20-4E



P0109
Tool attachment STA20-4E
P0125
Tool attachment STA20-4E, steel



STC/TA20

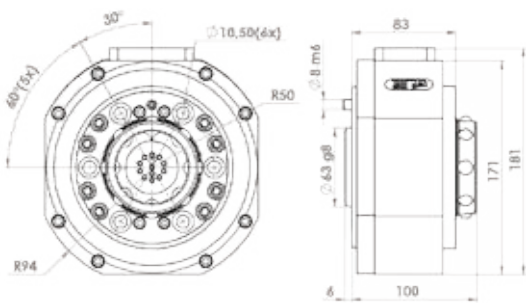
Type	STC20-4	TA20-4	TA20-4 Steel	STC20-4E	STA20-4E	STA20-4E Steel
Article number	P0106A	P0102	P0123	P0108A	P0109	P0125
Weight (kg)	0.8	0.1	0.3	1.1	0.1	0.3
Mechanical interface	ISO 9409-1 40-4-M6	ISO 9409-1 50-4-M6		ISO 9409-1 40-4-M6	ISO 9409-1 50-M6	
Working temperature	+10°C – +60°C					
IP classification	IP 54					
Maximum tool load						
Fz (static)	± 200 N					
Mz (dynamic)	± 100 Nm					
Mx/My (dynamic)	± 200 Nm	± 100 Nm	± 200 Nm	± 200 Nm	± 100 Nm	± 200 Nm
Air ducts						
Number of air ducts	6	4		6	4	
Dedicated air ducts	1 TC Open (6–10 bar)	–		1 TC Open (6–10 bar)	–	
	1 TC Close (6–10 bar)	–		1 TC Close (6–10 bar)	–	
Max air pressure	10 bar					
Air flow / channel	150 l/min					
Air connection	6 mm plastic hose or M5	M5		6 mm plastic hose or M5	M5	
Pneumatic valve	–					
Air quality	Oil-clean and waterless filtered air, with max 25µm particle content					
Electrical signals						
Number of signals	–			8		
Dedicated signals	–			1 x 24V DC	4 x 24V DC	
	–			1 x 0V DC	4 x 0V DC	
	–			1 TC Coupled		
Max current	–			1A		
Max voltage	–			60V		
Connections	–			M12 8P	4 x M8 3S	

Options	Article number	Description
Options for TA20 (tool side)	P0142	Tool stand kit 20
Cables and connectors for STC20 (robot side)	P0025	2 m signal cable M12 8P – M12 8S
	P0025-30	3 m signal cable M12 8P – M12 8S
Adaptation kit for STC20	For information about necessary adaptation kits see chapter: "Adaptation kits for swivels and swivels with tool changer"	

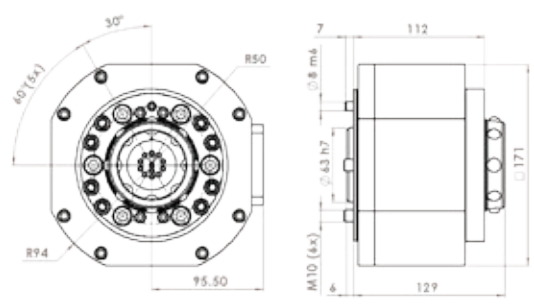
Swivels with tool changer and tool attachment

Swivel with tool changer

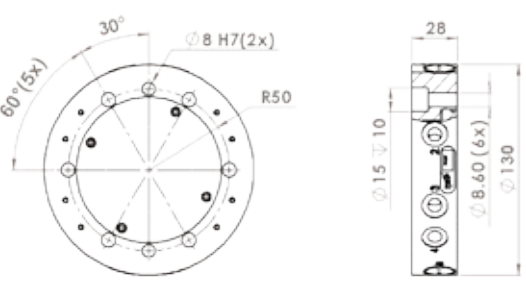
P0420A
Swivel with tool changer
STC100-2



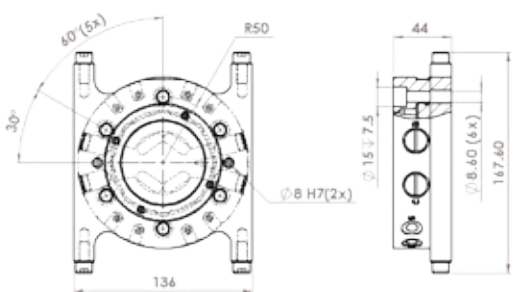
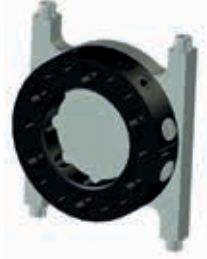
P0406A
Swivel with tool changer
STC100-6



P0407
Tool attachment TA100-8,
round



P0402
Tool attachment TA100-8,
square



STC/TA100

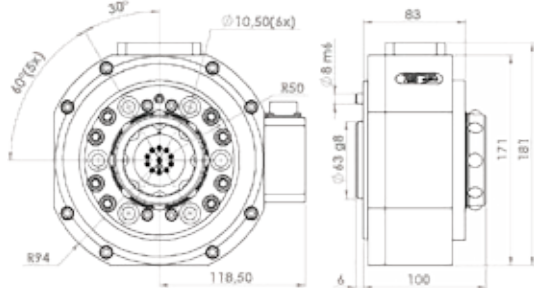
Type	STC100-2	STC100-6	TA100-8, round	TA100-8, square
Article number	P0420A	P0406	P0407	P0402
Weight (kg)	4.9	6.0	1.5	2.2
Mechanical interface	ISO9409-1 100-6-M10			
Working temperature	+10°C – +60°C			
IP classification	IP 54			
Maximum tool load				
Fz (static)	± 1000 N			
Mz (dynamic)	± 1000 Nm			
Mx/My (dynamic)	± 1000 Nm			
Air ducts				
Number of air ducts	4	8		
Dedicated air ducts	1 TC Open (6–10 bar)		–	
	1 TC Close (6–10 bar)		–	
Max air pressure	10 bar			
Air flow / channel	600 l/min			
Air connection	8 mm plastic hose or G1/8"		G 1/8"	
Pneumatic valve	–			
Air quality	Oil-clean and waterless filtered air, with max 25µm particle content			

Options	Article number	Description
Options to TA100	P0423	Tool stand kit 100/60
Adaptation kit for STC100	For information about necessary adaptation kits see chapter: "Adaptation kits for swivels and swivels with tool changer"	

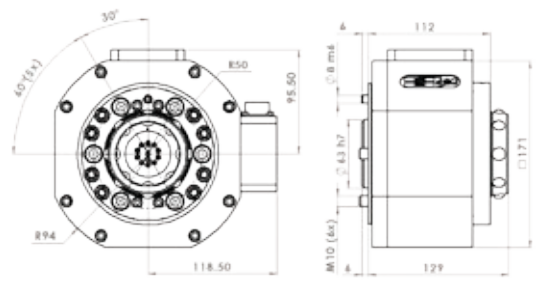
Swivels with tool changer and tool attachment

Swivel with tool changer

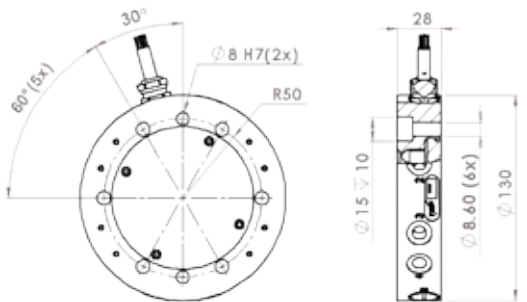
P0421A
Swivel with tool changer
STC100-2E



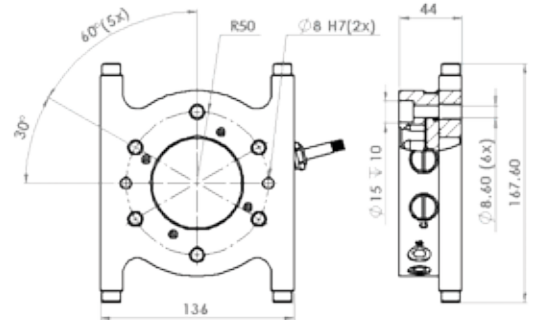
P0408A
Swivel with tool changer
STC100-6E



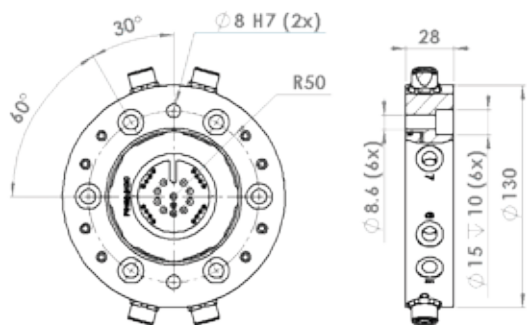
P0409
Tool attachment TA100-8E,
round



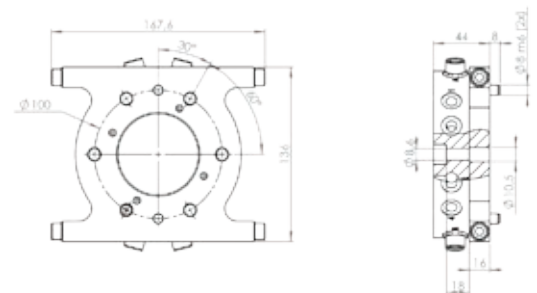
P0404
Tool attachment TA100-8E,
square



P0418
Tool attachment TA100-8E
round



P0474
Tool attachment TA100-8E
square



STC/TA100

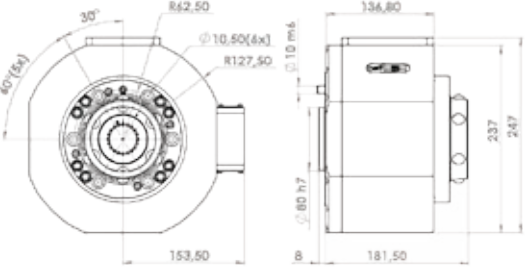
Type	STC100-2E	STC100-6E	TA100-8E, round	TA100-8E, square	TA100-8E, round	TA100-8E, square
Article number	P0421A	P0408A	P0409	P0404	P0418	P0474
Weight (kg)	5.2	6.3	1.5	2.2	1.5	2.2
Mechanical interface	ISO9409-1 100-6-M10					
Working temperature	+10°C – +60°C					
IP classification	IP 54					
Maximum tool load						
Fz (static)	± 1000 N					
Mz (dynamic)	± 1000 Nm					
Mx/My (dynamic)	± 1000 Nm					
Air ducts						
Number of air ducts	4	8	8			
Dedicated air ducts	1 TC Open (6–10 bar)		–			
	1 TC Close (6–10 bar)		–			
Max air pressure	10 bar					
Air flow / channel	600 l/min					
Air connection	8 mm plastic hose or G 1/8"			G 1/8"		
Pneumatic valve	–					
Air quality	Oil-clean and waterless filtered air, with max 25µm particle content					
Electrical signals						
Number of signals	12		10		16	
Dedicated signals			1 x 24V DC		4 x 24V DC	
			1 x 0V DC		4 x 0V DC	
	1 TC Coupled		–			
	1 TC Opened		–			
Max current	2A					
Max voltage	60V					
Connections	12P Souriau		0.9 m 10 x 0.5mm ² cable		4 x M12 4S	

Options	Article number	Description
Options to TA100	P0423	Tool stand kit 100/60
Cables and connectors for STC100-xE (robot side)	P8116-40	4 m Signal cable 12S Souriau – open end
	P8006	12S Souriau connector
Adaptation kit for STC100	For information about necessary adaptation kits see chapter: "Adaptation kits for swivels and swivels with tool changer"	

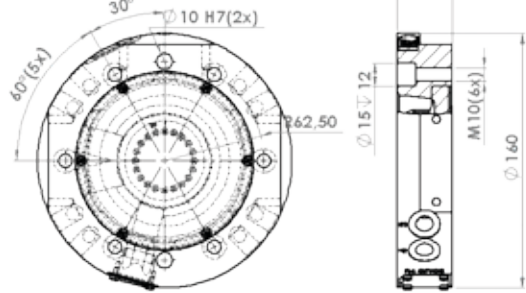
Swivels with tool changer and tool attachment

Swivel with tool changer

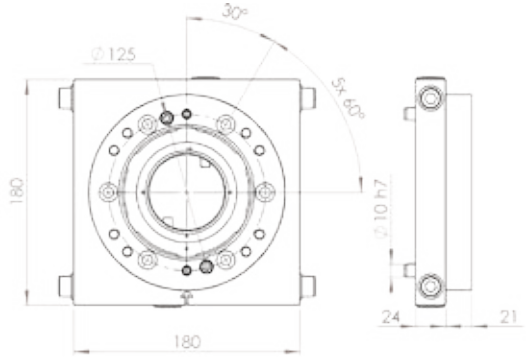
P6413
Swivel with tool changer
STC250-6



P6417
Tool attachment TA250-8,
round



P6474
Tool attachment TA250-8
square



STC/TA250

*STC250 fits robots with centering diameter (d3) 63mm and 80mm

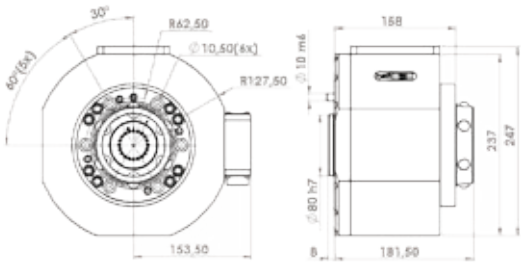
Type	STC250-6	TA250-8, round	TA250-8, square
Article number	P6413	P6417	P6474
Weight (kg)	14.5	2.6	3.5
Mechanical interface	ISO 9409-1 125-6-M10*		
Working temperature	+10°C – +60°C		
IP classification	IP 54		
Maximum tool load			
Fz (static)	± 2000 N		
Mz (dynamic)	± 1250 Nm		
Mx/My (dynamic)	± 2000 Nm		
Air ducts			
Number of air ducts	8		
Dedicated air ducts	1 TC Open (6–10 bar)	–	
	1 TC Close (6–10 bar)	–	
Max air pressure	10 bar		
Air flow / channel	1600 l/min		
Air connection	8 mm plastic hose or G 1/4"	G 1/4"	
Pneumatic valve	–		
Air quality	Oil-clean and waterless filtered air, with max 25µm particle content		

Options	Article number	Description
Options to TA250	P6472	Tool stand kit 250
Adaptation kit for STC250	For information about necessary adaptation kits see chapter: "Adaptation kits for swivels and swivels with tool changer"	

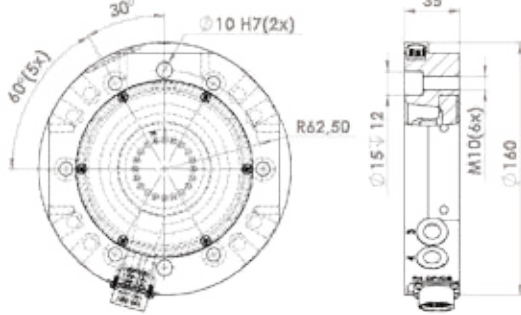
Swivels with tool changer and tool attachment

Swivel with tool changer

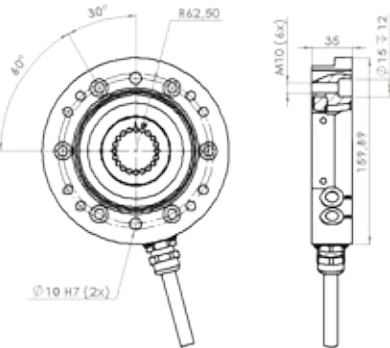
P6414
Swivel with tool changer
STC250-6E



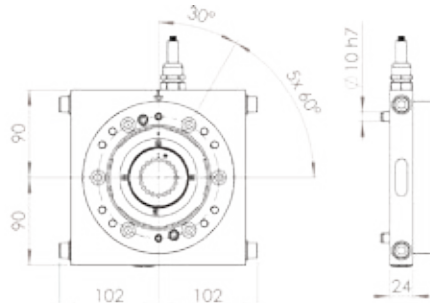
P6418
Tool attachment TA250-8E



P6431
Tool attachment TA250-8E,
round



P6473
Tool attachment TA250-8E,
square



STC/TA250

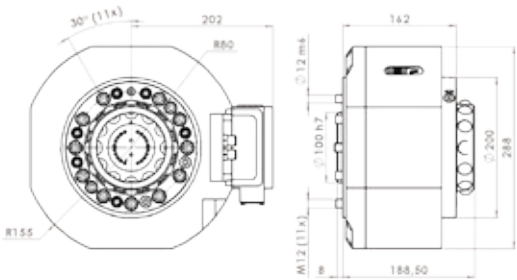
*STC250 fits robots with centering diameter (d3) 63mm and 80mm

Type	STC250-6E	TA250-8E, round	TA250-8E, round	TA250-8E, square
Article number	P6414	P6418	P6431	P6473
Weight (kg)	14.6	2.7	2.8	3.6
Mechanical interface	ISO 9409-1 125-6-M10*			
Working temperature	+10°C – +60°C			
IP classification	IP 54			
Maximum tool load				
Fz (static)	± 2000 N			
Mz (dynamic)	± 1250 Nm			
Mx/My (dynamic)	± 2000 Nm			
Air ducts				
Number of air ducts	8			
Dedicated air ducts	1 TC Open (6–10 bar)	–		
	1 TC Close (6–10 bar)	–		
Max air pressure	10 bar			
Air flow / channel	1600 l/min			
Air connection	8 mm plastic hose or G 1/4"	G 1/4"		
Pneumatic valve	–			
Air quality	Oil-clean and waterless filtered air, with max 25µm particle content			
Electrical signals				
Number of signals	18	19		
Dedicated signals	1 x 24V DC			
	1 x 0V DC			
	1 TC Coupled	–		
	1 TC Opened	–		
Max current	2A			
Max voltage	60V			
Connections	23P Souriau	19S Compact Souriau	1 m 20 x 0.5 mm ² cable with open end	

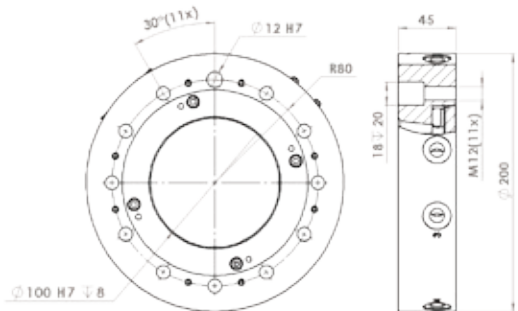
Options	Article number	Description
Options to TA250	P6472	Tool stand kit 250
Cables and connectors for STC250-xE (robot side)	P8129-50	5 m signal/bus cable 23S Souriau – open end
	P8002	23S Souriau connector
Cables and connectors for TA250-xE (tool side)	P8105-20	2 m signal cable 19P Compact – open end
	P8007	19P compact Souriau connector
Adaptation kit for STC250	For information about necessary adaptation kits see chapter: "Adaptation kits for swivels and swivels with tool changer"	

Swivels with tool changer and tool attachment

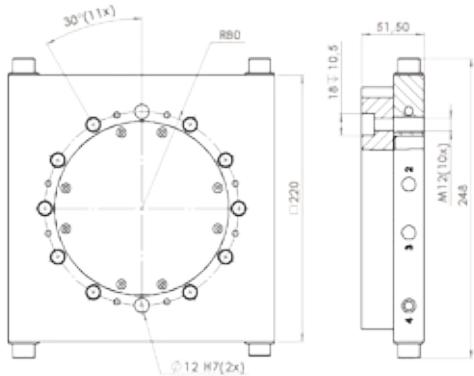
P0605
Swivel with tool changer
STC350-6



P0606
Tool attachment TA350-8,
round



P0602
Tool attachment TA350-8,
square



STC/TA350

Type	STC350-6	TA350-8, round	TA350-8, square
Article number	P0605	P0606	P0602
Weight (kg)	22.8	5.3	5.7
Mechanical interface	ISO 9409-1 160-11-M12		
Working temperature	+10°C – +60°C		
IP classification	IP 54		
Maximum tool load			
Fz (static)	± 3500 N		
Mz (dynamic)	± 3500 Nm		
Mx/My (dynamic)	± 3500 Nm		
Air ducts			
Number of air ducts	8		
Dedicated air ducts	1 TC Open (6–10 bar)	–	
	1 TC Close (6–10 bar)	–	
Max air pressure	10 bar		
Air flow / channel	800 l/min		
Air connection	8 mm plastic hose or G1/4"	G1/4"	
Pneumatic valve	–		
Air quality	Oil-clean and waterless filtered air, with max 25µm particle content		

Options	Article number	Description
Options to TA350	P0639	Tool stand kit 350
Adaptation kit for STC350	For information about necessary adaptation kits see chapter: "Adaptation kits for swivels and swivels with tool changer"	

STC/TA350

Type	STC350-6E	STC350-6E	TA350-8E, Round	TA350-8E, Round	TA350-8E, Square
Article number	P0607	P1618	P0608	P1619	P0604
Weight (kg)	23	23	5.5	5.5	6.2
Mechanical interface	ISO 9409-1 160-11-M12				
Working temperature	+10°C – +60°C				
IP classification	IP 54				
Maximum tool load					
Fz (static)	± 3500 N				
Mz (dynamic)	± 3500 Nm				
Mx/My (dynamic)	± 3500 Nm				
Air ducts					
Number of air ducts	8				
Dedicated air ducts	1 TC Open (6–10 bar)		–		
	1 TC Close (6–10 bar)		–		
Max air pressure	10 bar				
Air flow / channel	800 l/min				
Air connection	8 mm plastic hose or G 1/4"		G 1/4"		
Pneumatic valve	–				
Air quality	Oil-clean and waterless filtered air, with max 25µm particle content				
Electrical signals					
Number of signals	14		19		
Dedicated signals	1 x 24V DC				
	1 x 0V DC				
	1 TC Coupled		–		
	1 TC Opened		–		
Max current	2A				
Max voltage	60V				
Connections	23P Souriau	26P compact Souriau	19S Souriau	26S compact Souriau	1 m 18 x 0.5mm ² cable

Options	Article number	Description
Options to TA350	P0639	Tool stand kit 350
Cables and connectors for STC350-xE (robot side)	P8129-50	5 m signal/bus cable 23S Souriau – open end
	P8002	23S Souriau connector
	P8025	26S compact Souriau connector
Cables and connectors for TA350-8E (tool side)	P8102-20	2 m signal cable 19P – open end
	P8003	19P Souriau connector
	P8119-10	1 m signal cable 26P compact Souriau – open end
	P8012	26P compact Souriau connector
Adaptation kits for STC350	For information about necessary adaptation kits see chapter: "Adaptation kits for swivels and swivels with tool changer"	



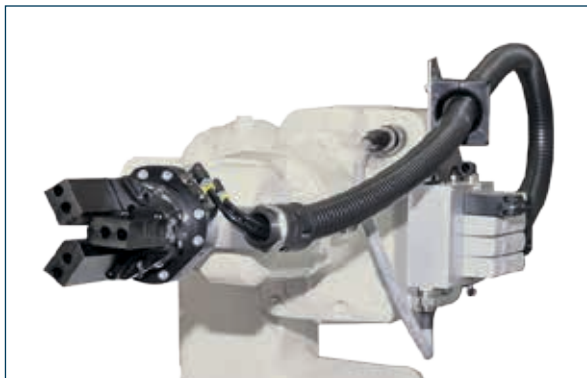
Swivels

Swivels

With Robot System Products swivels you can provide compressed air, water, electrical and data signals, as well as weld and servo power to your tools with robot motion capabilities maintained. Axis 6 is allowed to rotate freely without limitations by hoses, cables or other obstacles and together with our hose packages there are no limits to axis 4 and 5 as well.

With RSP swivels, the low weight, high corrosion resistance and a minimum of service requirements will enhance your productivity and maximize uptime in all applications involving substantial robot motions.

- Free rotation axis 6
- No limits to axis 4 and 5 when used with RSP hose packages
- Air, water, electrical and fieldbus signals
- Weld and servo power
- Low weight and high corrosion resistance
- Low maintenance and high uptime



With swivel

The rotation of axis 6 does not affect the Dress Pack on the upper arm.



Without swivel

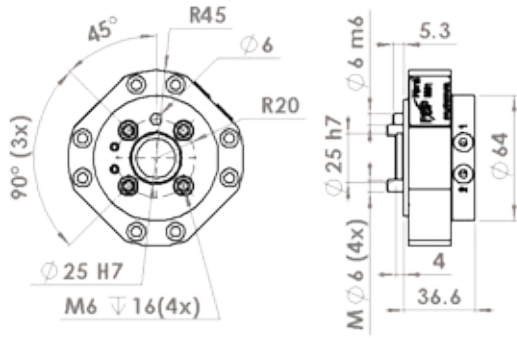
Hose and cable package will be twisted around the upper arm of the robot when axis 6 rotates.

Note!

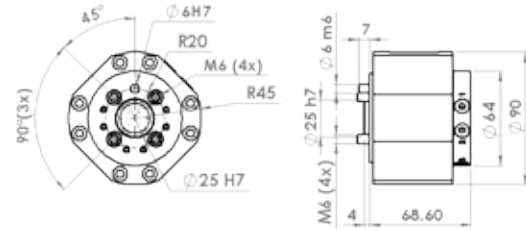
RSP's design of swivel units is based on the ISO standard for robot flanges. For the swivel unit to be able to function properly an adaptation kit has to be included. RSP provides a wide range of adaptation kits for different robot brands. If you do not find your robot model please contact RSP support.

Swivels

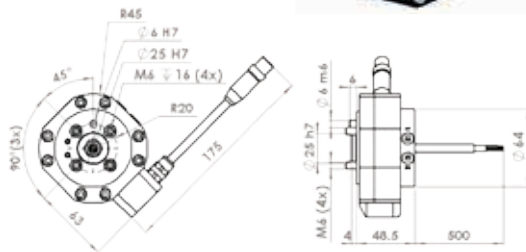
P0110A
Swivel S20-2



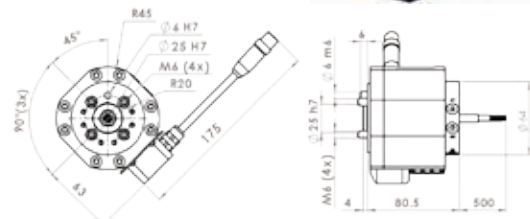
P0112A
Swivel S20-6



P0111A
Swivel S20-2E



P0113A
Swivel S20-6E



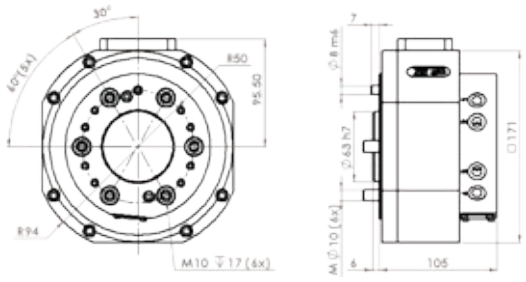
S20

Type	S20-2	S20-6	S20-2E	S20-6E
Article number	P0110A	P0112A	P0111A	P0113A
Weight (kg)	0.35	0.65	0.65	0.95
Mechanical interface	ISO 9409-1 40-4-M6			
Working temperature	+10°C – +60°C			
IP classification	IP 54			
Maximum tool load				
Fz (static)	± 200 N			
Mz (dynamic)	± 100 Nm			
Mx/My (dynamic)	± 100 Nm			
Air ducts				
Number of air ducts	2	6	2	6
Max air pressure	10 bar			
Air flow / channel	150 l/min			
Connection robot, side	6 mm plastic hose or M5			
Connection, tool side	M5			
Pneumatic valve	–			
Air quality	Oil-clean and waterless filtered air, with max 25µm particle content			
Electrical signals				
Number of slip ring signals	–		8	
Max current	–		1A	
Max voltage	–		60V	
Connection robot, side	–		M12 8P	
Connection, tool side	–		8 x 0.25mm ² cable	

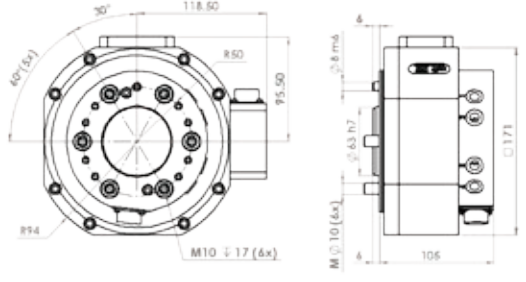
Options	Article number	Description
Cables for S20-xE, (robot side)	P0025	2 m signal cable M12 8S – M12 8P
	P0025-30	3 m signal cable M12 8S – M12 8P
Adaptation kits for S 20	For information about necessary adaptation kits see chapter: "Adaptation kits for swivels and swivels with tool changer"	

Swivels

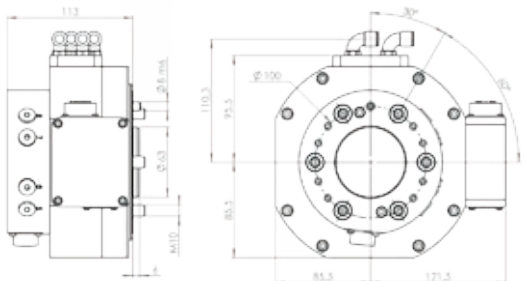
P0410A
Swivel S100-4



P0411A
Swivel S100-4E



P0472
Swivel S100-4E, 19 signals



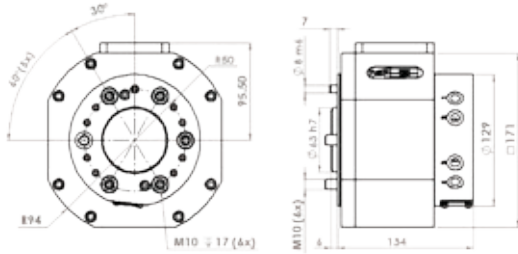
S100

Type	S100-4	S100-4E	S100-4E, 19 signals
Article number	P0410A	P0411A	P0472
Weight (kg)	3.9	4.3	4.4
Mechanical interface	100-6-M10		
Working temperature	+10°C – +60°C		
IP classification	IP 54		
Maximum tool load			
Fz (static)	± 1000 N		
Mz (dynamic)	± 1000 Nm		
Mx/My (dynamic)	± 1000 Nm		
Air ducts			
Number of air ducts	4		
Max air pressure	10 bar		
Air flow / channel	600 l/min		
Connection robot, side	8 mm plastic hose or G 1/8"		
Connection, tool side	G 1/8"		
Pneumatic valve	–		
Air quality	Oil-clean and waterless filtered air, with max 25µm particle content		
Electrical signals			
Number of slip ring signals	–	12	19
Max current	–	1A	
Max voltage	–	60V	
Connection robot, side	–	12P Souriau	23P Souriau
Connection, tool side	–	12S Souriau	19S compact Souriau

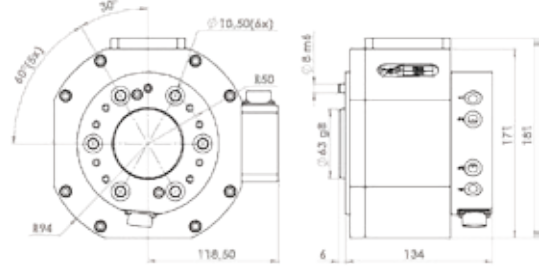
Options	Article number	Description
Cables and connectors for S100-xE (robot side)	P8116-40	4 m signal cable 12S Souriau – open end
	P8006	12S Souriau connector
Cable and connectors for S100-xE19 signals (robot side)	P8129-50	5 m signal cable 23S Souriau – open end
	P8002	23S Souriau connector
Cables and connectors for S100-xE (tool side)	P8111-20	2 m signal cable 12P Souriau – open end
	P8005	12P Souriau connector
Cables and connectors for S100-xE19 signals (tool side)	P8105-20	2 m signal cable 19P compact Souriau – open end
	P8007	19P compact Souriau connector
Adaptation kits for S100	For information about necessary adaptation kits see chapter: "Adaptation kits for swivels and swivels with tool changer"	

Swivels

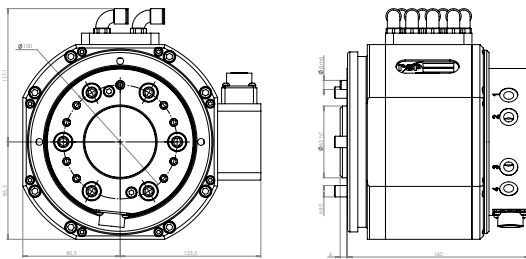
P0412A
Swivel S100-8



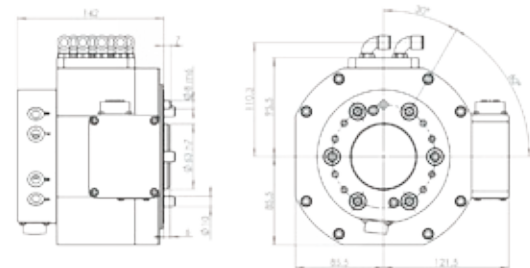
P0413A
Swivel S100-8E



P0495
Swivel S100-8E, Sealed



P0471
Swivel S100-8E, 19 signals



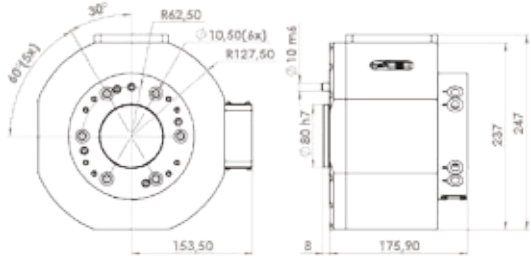
S100

Type	S100-8	S100-8E	S100-8E, Sealed	S100-8E, 19 signals
Article number	P0412A	P0413A	P0495	P0471
Weight (kg)	5.0	5.3	6.2	5.5
Mechanical interface	100-6-M10			
Working temperature	+10°C – +60°C			
IP classification	IP 54		IP 65	IP 54
Maximum tool load				
Fz (static)	± 1000 N			
Mz (dynamic)	± 1000 Nm			
Mx/My (dynamic)	± 1000 Nm			
Air ducts				
Number of air ducts	8			
Max air pressure	10 bar			
Air flow / channel	600 l/min			
Connection robot, side	8 mm plastic hose or G 1/8"			
Connection, tool side	G 1/8"			
Pneumatic valve	–			
Air quality	Oil-clean and waterless filtered air, with max 25µm particle content			
Electrical signals				
Number of slip ring signals	–	12		19
Max current	–	1A		
Max voltage	–	60V		
Connection robot, side	–	12P Souriau		23P Souriau
Connection, tool side	–	12S Souriau		19S Compact Souriau

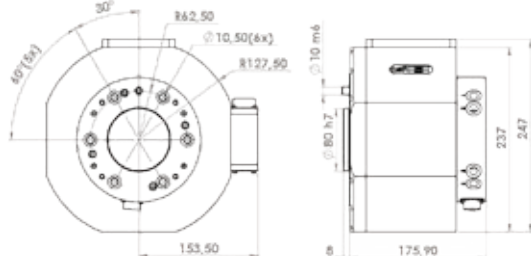
Options	Article number	Description
Cables and connectors for S100-xE (robot side)	P8116-40	4 m signal cable 12S – open end
	P8006	12S Souriau connector
Cable and connectors for S100-xE19 signals (robot side)	P8129-50	5 m signal cable 23S – open end
	P8002	23S Souriau connector
Cables and connectors for S100-xE (tool side)	P8111-20	2 m signal cable 12P – open end
	P8005	12P Souriau connector
Cables and connectors for S100-xE19 signals (tool side)	P8105-20	2 m signal cable 19P compact – open end
	P8007	19P compact Souriau connector
Adaptation kits for S100	For information about necessary adaptation kits see chapter: "Adaptation kits for swivels and swivels with tool changer"	

Swivels

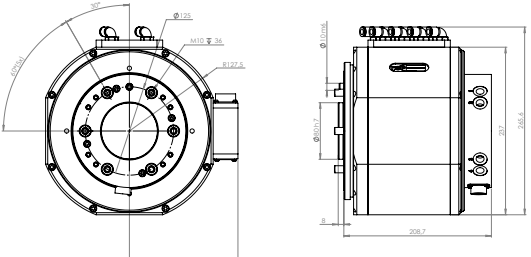
P6415
Swivel S250-8



P6416
Swivel S250-8E



P6491
Swivel S250-8E, sealed



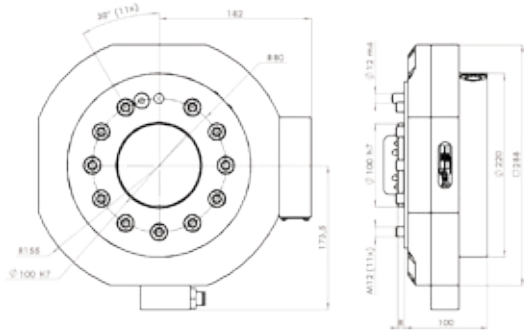
S250

Type	S250-8	S250-8E	S250-8E, Sealed
Article number	P6415	P6416	P6491
Weight (kg)	11.9	12.3	13.9
Mechanical interface	ISO 9409-1 125-6-M10		
Working temperature	+10°C – +60°C		
IP classification	IP 54		
Maximum tool load			
Fz (static)	± 2000 N		
Mz (dynamic)	± 1250 Nm		
Mx/My (dynamic)	± 2000 Nm		
Air ducts			
Number of air ducts	8		
Max air pressure	10 bar		
Air flow / channel	1600 l/min		
Connection robot, side	8 mm plastic hose or G 1/4"		
Connection, tool side	G 1/4"		
Pneumatic valve	–		
Air quality	Oil-clean and waterless filtered air, with max 25µm particle content		
Electrical signals			
Number of slip ring signals	–	19	
Max current	–	2A	
Max voltage	–	60V	
Connection robot, side	–	23P Souriau	
Connection, tool side	–	19S Compact Souriau	

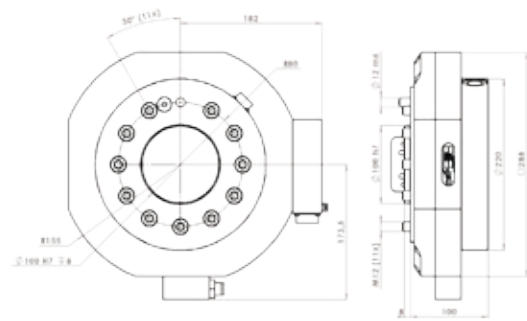
Options	Article number	Description
Cables and connectors for S250-8E (robot side)	P8129-50	5 m signal/bus cable 23S Souriau – open end
	P8002	23S Souriau connector
Cables and connectors for S250-8E (tool side)	P8105-20	2 m signal cable 19P compact Souriau – open end
	P8007	19P compact Souriau connector
Adaptation kit for S250	For information about necessary adaptation kits see chapter: "Adaptation kits for swivels and swivels with tool changer"	

Swivels

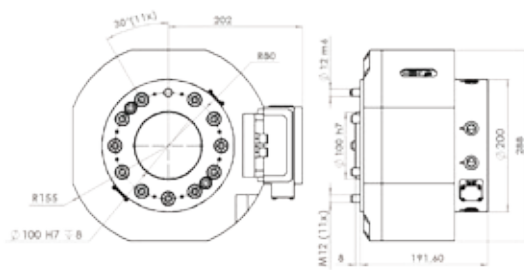
P0636
Swivel S350-1



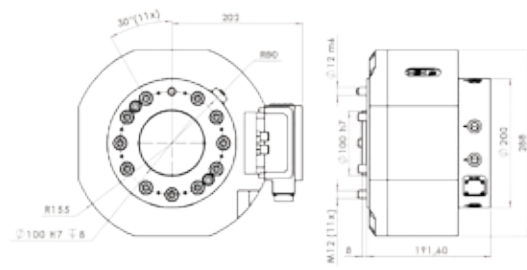
P0633
Swivel S350-1E



P0609
Swivel S350-8



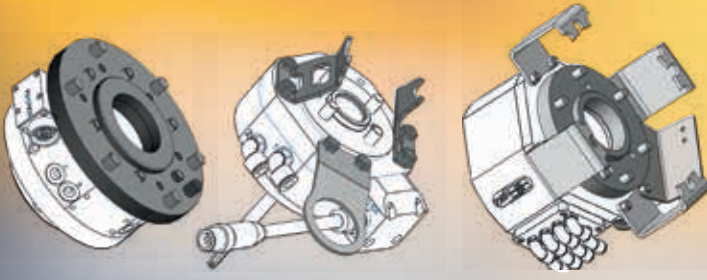
P0610
Swivel S350-8E



S350

Type	S350-1	S350-1E	S350-8	S350-8E	S350-8E, Sealed
Article number	P0636	P0633	P0609	P0610	P1613A
Weight (kg)	11.1	11.3	19.2	19.4	22.4
Mechanical interface	ISO 9409-1 160-11-M12				
Working temperature	+10°C – +60°C				
IP classification	IP 54				IP65
Maximum tool load					
Fz (static)	± 3500 N				
Mz (dynamic)	± 2300 Nm				
Mx/My (dynamic)	± 2300 Nm				
Air ducts					
Number of air ducts	1		8		
Max air pressure	10 bar				
Air flow / channel	4000 l/min		800 l/min		
Connection, robot side	10 mm plastic hose or G 1/2"		8 mm plastic hose or G 1/4"		
Connection, tool side	G 1/2"		G 1/4"		
Pneumatic valve	–				
Air quality	Oil-clean and waterless filtered air, with max 25µm particle content				
Electrical signals					
Number of signals	–	14	–	14	
Max current	–	2A	–	2A	
Max voltage	–	60V	–	60V	
Connection, robot side	–	23P Souriau	–	23P Souriau	
Connection, tool side	–	19S Compact Souriau	–	19S Souriau	

Options	Article number	Description
Cables and connectors for S350-1E (tool side)	P8105-20	2 m signal cable 19P compact Souriau – open end
	P8007	19P compact Souriau connector
Cables and connectors for S350-8E (tool side)	P8102-20	2 m signal cable 19P Souriau – open end
	P8003	19P Souriau connector
Cables and connectors for S350-xE (robot side)	P8129-50	5 m signal/bus cable 23S Souriau – open end
	P8002	23S Souriau connector
Adaptation kit for S350	For information about necessary adaptation kits see chapter: "Adaptation kits for swivels and swivels with tool changer"	



Adaptations

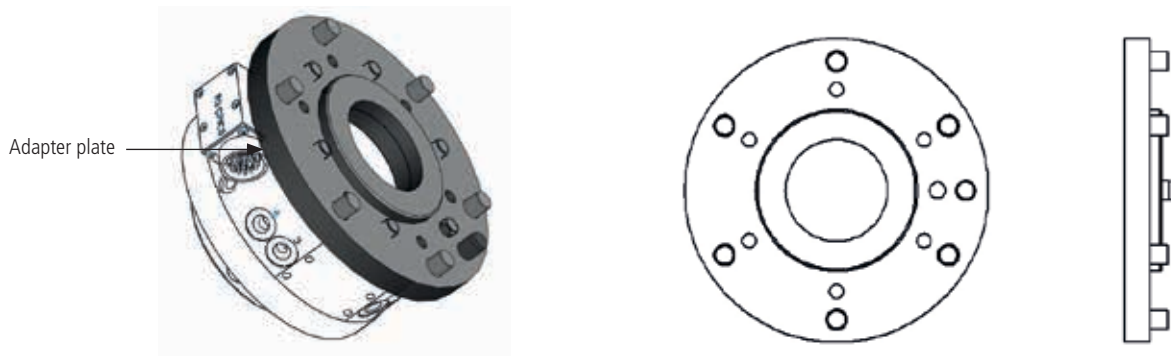
Adaptation kits

Robot System Products tool changers, swivels and swivels with integrated tool changers are based on the ISO standard for robot flange bolt patterns. For other bolt circles, adaptation plates are available from RSP. For swivel units and swivels with integrated tool changer, specific adaptation kits have to be used to ensure rotation functionality.

NOTE!

There is always a risk when a large robot is equipped with a small tool changer due to the fact that the larger robot uses higher forces in acceleration, deceleration and most importantly when the robot perform an emergency stop. The maximum dynamic forces are rated for each product and you can always consult a RSP representative or our website if you have any questions on how to select the right product for your robot.

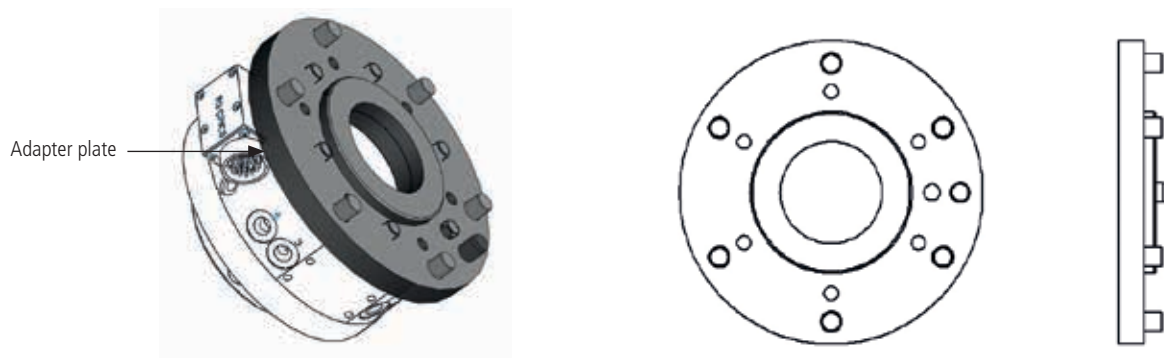
Adaptation kits for tool changers



All screws are included.

Tool changer	Article number	Robot model	Mechanical interface robot flange	Weight (Kg)	Adapter plate thickness (mm)
TC20	–	Fits directly to robot with ISO-flange	ISO 9409-1 40-4-M6	–	–
	P0105	ABB IRB 2400/10, /16	ISO 9409-1 50-4-M6	0.24	12
		ABB IRB 2600/12, /20			
		ABB IRB 4400/L10			
		ABB IRB 4600-20/2.50			
	P0135	ABB IRB 1600ID	63-4-M6	0.3	10.5
	P0162	KUKA KR15/2, KR15LS	50-7-M6	0.21	10
		KUKA KR16, KR16KS			
KUKA KR30 L16-2		ISO 9409-1 50-4-M6			
Stäubli TX90					
P1117	KUKA KR5 sixx R650	ISO 9409-1 31.5-4-M5	0.1	12	
	Kawasaki RS05N				
P1118	FANUC M20iA/20	56-15-M4	0.25	14	
TC60	–	Fits directly to robot with ISO-flange	ISO 9409-1 80-6-M8	–	–
	P1316	ABB IRB 2400/10, /16	ISO 9409-1 40-4-M6	0.3	15
TC100	–	Fits directly to robot with ISO-Flange	ISO 9409-1 100-6-M10	–	–
	P0445	Motoman ES165N. ES165N-100	ISO 9409-1 125-6-M10	2.08	18
		Motoman ES200N			
	P0450	ABB IRB 260	ISO 9409-1 80-6-M8	0.81	12
		Motoman UP50N, UP50N-35			
		Motoman MG50			
		Motoman EPL80			
		Kawasaki FA30L, FC30L, FC30N, FS30L, FS30N			
Kawasaki FC45C, FC45N, FS45C, FS45N					
Kawasaki FC60L, FS60L					

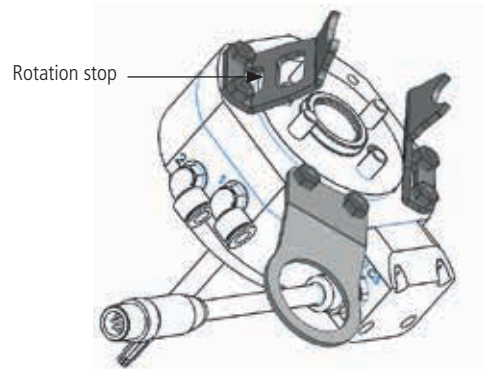
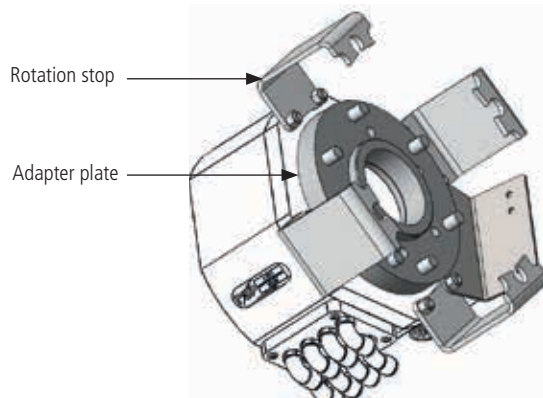
Adaptation kits for tool changers



All screws are included.

Tool changer	Article number	Robot model	Mechanical interface robot flange	Weight (Kg)	Adapter plate thickness (mm)
TC240, TC250, TC275	–	Fits directly to robot with ISO-flange	ISO 9409-1 125-6-M10	–	–
	P6428	ABB IRB 6600/2.55-175	ISO 9409-1 160-11-M12	3.30	16
		ABB IRB 6640/2.55-180			
		ABB IRB 6600/others			
		ABB IRB 6640/others			
	P6468	KUKA KR210 R3100 Ultra	ISO 9409-1 160-11-M10	2.9	16
P6478	Fanuc M-900iA/260, /350	ISO 9409-1 200-6-M12	8.8	41	
TC350, TC480, TC500	–	Fits directly to robot with ISO-Flange	ISO 9409-1 160-11-M12	–	–
	P0657	ABB IRB 7600	ISO 9409-1 200-12-M16	6.43	25
	P0664	KUKA KR360-2, KR360 450-2PA	ISO 9409-1 200-6-M12	5.5	25
		KUKA KR500-2, KR500-2CR, KR500-3			
		KR500 570-2PA			
		Kawasaki MX350L			
		Kawasaki MX420L			
	P0670	FANUC R2000iB 175L/210F	ISO 9409-1 125-10-M10	2.16	15
	P1610	Fanuc M900iA /260, /350	ISO 9409-1 200-6-M12	5.1	25
	P6430	Motoman ES165N, ES165N-100, ES200N	125-6-M10	2.7	16
P6860	Comau Smart 5 NJ 270-2.7	ISO 9409-1 200-6-M12	5.2	20	
	Comau Smart 5 NJ 500-2.7				
TC1000	P0759	Fanuc M-900iA/700	250-10-M12	8.7	28

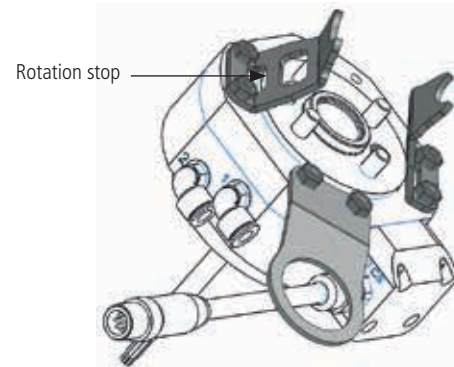
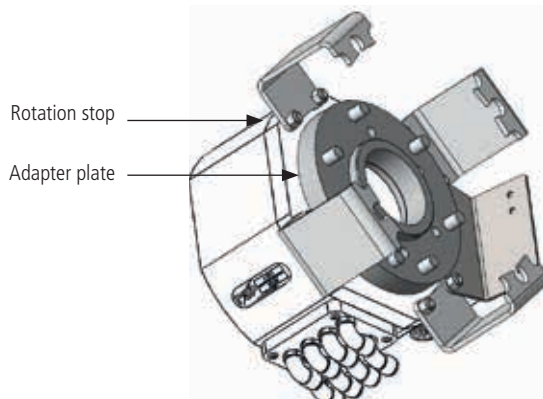
Adaptation kits for swivels and swivels with tool changer



All screws are included.

Swivel	Article number	Robot model	Mechanical interface robot flange	Weight	Adapter plate thickness (mm)	
S20, STC20	–	Fits directly to robot with ISO-flange	ISO 9409-1 40-4-M6	–	–	
	P0116	ABB IRB 140, 2400/L5, old 1600	ISO 9409-1 50-4-M6	0.1	–	
	P0117	ABB IRB 1400, IRB 1410		0.09	–	
	P0118	ABB IRB 2400/10, /16	50-6-M6		0.32	12
		ABB IRB 2600/12, /20				
		ABB IRB 4400/L10				
		ABB IRB 4600-20/2.50				
	P0136	KUKA KR6 R900 sixx	ISO 9409-1 31.5-4-M5	0.3	16	
	P0143	ABB IRB 140, IRB 1600	ISO 9409-1 40-4-M6	0.09	–	
	P0145	Motoman UP6-UP20		0.14	–	
	P0158	KUKA KR6		0.07	–	
	P0159	KUKA KR16		1.09	10	
	P0161	KUKA KR15		0.37	10	
P0477	Fanuc M-700iC20L	0.1		–		
P1120	Fanuc LR Mate-200iC	ISO 9409-1 31.5-4-M5		0.1	12	
S100, STC100	–	Fits directly to robot with ISO-flange	ISO 9409-1 100-6-M10	–	–	
	P0414	ABB IRB 4400/60 & L30	100-6-M10	0.31	–	
	P0416	ABB IRB 6400	ISO 9409-1 125-6-M10	2.26	18	
	P0433	KUKA KR30-3, KR60-3	ISO 9409-1 100-6-M8	0.6	–	
	P0447	ABB IRB 260	ISO 9409-1 80-6-M8	1.28	12	
	P0449	ABB IRB 4600-40/2.55, -45/2.05, -60/2.05	100-6-M10	0.73	–	
	P0455	KUKA KR30-3, KR60-3	ISO 9409-1 100-6-M8	1.17	–	
	P0473	Motoman MH 50-35-EM	ISO 9409-1 80-6-M8	1.2	12	
	P0482	Fanuc M710iC50	100-10-M8	1.0	–	
S250, STC250	P0683	Fanuc R-2000iB 175L / 210F	125-10-M10	0.83	–	
	P2304	KUKA KR 360-L280-2	ISO 9409-1 200-6-M12	11.2	41	
	P6419	ABB IRB 6400	ISO 9409-1 125-6-M10	0.70	–	
	P6424	ABB IRB 6600/2.55-175	ISO 9409-1 160-11-M12	4.12	16	
		ABB IRB 6640/2.55-180				
	P6425	ABB IRB 6600/others		4.25	16	
		ABB IRB 6640/other				
ABB IRB 6650S 125						

Adaptation kits for swivels and swivels with tool changer



All screws are included.

Swivel	Article number	Robot model	Mechanical interface robot flange	Weight	Adapter plate thickness (mm)
S250, STC250	P6427	ABB IRB 6620	ISO 9409-1 160-11-M12	4.05	16
	P6490	ABB IRB 6700 Higher line	ISO 9409-1 160-11-M12	4.12	16
	P6445	Kawasaki ZX165U	ISO 9409-1 125-6-M10	0.4	–
	P6446	Hyundai HX165	125-6-M10	0.4	–
	P6448	Motoman ES165N / ES165D		0.3	–
	P6467	KUKA KR210 R3100 Ultra	ISO 9409-1 160-11-M10	3.7	16
	P6471	KUKA KR150 R3100 Prime	125-11-M10	0.7	–
	P6475	KUKA KR150-2 / KR210-2 / KR210-2K (serie 2000)	ISO 9409-1 160-6-M10	3.7	16
	P6477	Fanuc R-2000iB 165F / 165R / 125L / 100H	ISO 9409-1 125-6-M10	0.2	–
	P6480	Motoman ES200D	125-6-M10	0.2	–
S350, STC350	P0620	ABB IRB 6600/2.55-175	ISO 9409-1 160-11-M12	0.2	–
		ABB IRB 6640/2.55-180			
	P0621	ABB IRB 6600/others			
		ABB IRB 6400/others			
		ABB IRB 6650S 125			
	P1614	ABB IRB 6700 Powerline			
	P1615	ABB IRB 6700 Higher Line			
	P0622	ABB IRB 7600			
P0656	ABB IRB 6620 with optional side seal	ISO 9409-1 160-11-M12	0.7	–	
P0671	FANUC R2000iB 175L/210F	125-10-M10	2.4	15	
S350, STC350 Sealed version	P0696	ABB IRB 6600/2.55-175	ISO 9409-1 160-11-M12	2.0	–
		ABB IRB 6640/2.55-180			
	P0697	ABB IRB 6600/others			
		ABB IRB 6640/others			
		ABB IRB 6650S 125			
	P0693	KUKA KR240-2		ISO 9409-1 160-6-M10	
P1612	ABB IRB 6400	ISO 9409-1 125-6-M10	3.3	15	

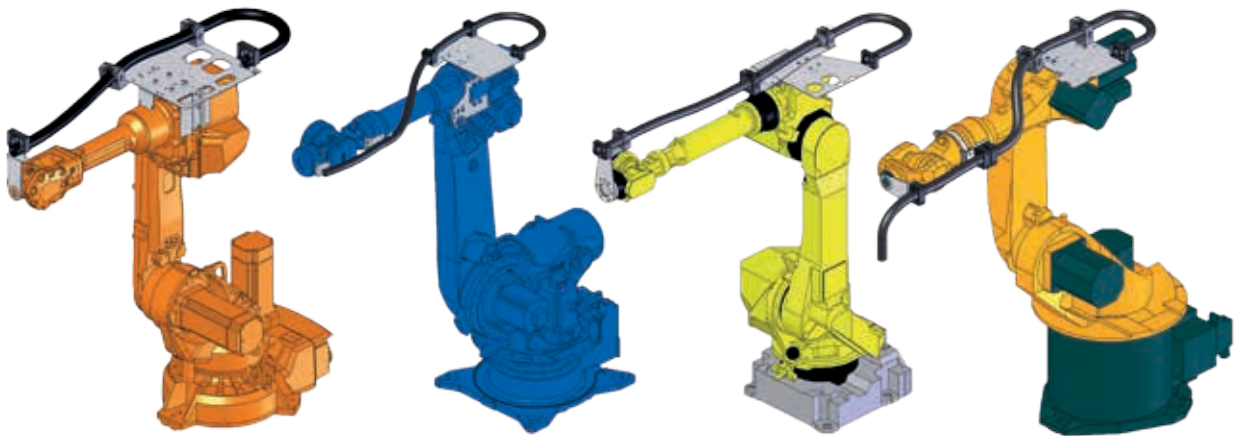


Hose packages

Hose packages

The design of Robot System Products hose packages is based on years of experience and proven technology. The installation of extra cabling is simplified for all material handling applications. Together with our swivels the robot can move freely, and your cabling will have a longer lifetime.

- Free robot movements together with swivel
- Quick and easy installation
- Longer cabling life
- Modular design



Our hose packages include all necessary bolts and brackets for your robot.

Hose packages for swivel solutions – upper arm

	Part number	Description	Robot model	Hose		
				length (m)	DI (mm)	DO (mm)
	P0030	Hose package ABB IRB 140	ABB IRB 140	0.9	22	28
	P0031	Hose package ABB IRB 1400	ABB IRB 1400	1.3	22	28
	P0034	Hose package ABB IRB 1600	ABB IRB 1600	1.2	22	28
	P0032	Hose package ABB IRB 2400/L5	ABB IRB 2400/L5	1.5	22	28
	P0033	Hose package ABB IRB 2600/12-20, 2400/10-16	ABB IRB 2600/12-20, 2400/10-16	1.44	22	28
	P0063	Hose package ABB IRB 4400/L10	ABB IRB 4400/L10	2.35	23	28
	P0465	Hose package ABB IRB 4600/20	ABB IRB 4600/20	2.6	22	28
	P0060	Hose package ABB IRB 4400/45-60	ABB IRB 4400/45-60	1.52	36	43
	P0061	Hose package ABB IRB 4400L/30	ABB IRB 4400L/30	2.4	36	43
	P0463	Hose package ABB IRB 4600/45-60	ABB IRB 4600/45-60	2.24	36	43
	P0464	Hose package ABB IRB 4600/40	ABB IRB 4600/40	2.3	36	43
	P0643	Hose package ABB IRB 6400	ABB IRB 6400	0.8	47	55

Hose packages for swivel solutions – upper arm

	Part number	Description	Robot model	Hose		
				length (m)	DI (mm)	DO (mm)
	P0616	Hose package ABB IRB 6620 through axis 4	ABB IRB 6620	0.82	47	55
	P0635	Hose package ABB IRB 66xx through axis 4	ABB IRB 66xx	2.015	47	55
	P0719	Hose package ABB IRB 7600	ABB IRB 7600	1.17	47	55
	P0122	Hose package Denso VS-6556G	Denso VS-6556G	0.85	23	28
	P2401	Hose package Fanuc R2000iA 125L	Fanuc R2000iA 125L	2.85	36	43
	P2402	Hose package Fanuc R2000iB 165F	Fanuc R2000iB 165F	2.6	36	43
	P0655	Hose package Fanuc R2000iB 100P	Fanuc R2000iB 100P	2.88	36	43
	P2301	Hose package KUKA KR210 R3100	KUKA KR210 R3100	3.2	36	43
	P2201	Hose package Motoman UP6-UP20	Motoman UP6-UP20	1.6	23	28
	P2204	Hose package Motoman ES 165D	Motoman ES 165D	2.3	36	43





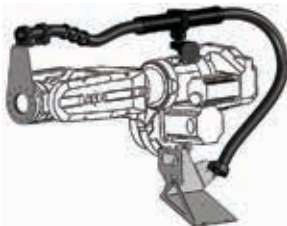
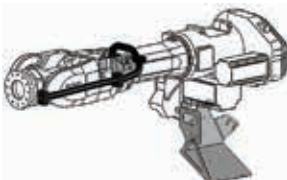
Hose packages for swivel solutions – upper arm

Options	Article number	Description	Note
Signal cable from small valve unit to swivel/tool changer 20 (to be put into the hose package)	P0025	2 m signal cable 8P - 8S	Robots with long arm
	P0025-30	3 m signal cable 8P - 8S	Robots with long arm
Signal cable from large valve unit to swivel/tool changer 100 (to be put into the hose package)	P0055-25	2.5 m signal cable 23P - 23S	ABB IRB 4400/45-60
	P0055-30	3 m signal cable 23P - 12S	ABB IRB 4600/45-60
	P0055-38	3.8 m signal cable 23P - 12S	ABB IRB 4600/40, 4400L/30
Signal cable from large valve unit to swivel/tool changer 250/350 (to be put into the hose package)	P0066-14	1.4 m signal cable 23P - 23S	ABB IRB 6400
	P0066-30	3 m signal cable 23P - 23S	ABB IRB 6620
	P0066-38	3.8 m signal cable 23P - 23S	ABB IRB 66xx/7600-2.55, 6650-2.75, 6650S-3.0
	P0066-40	4 m signal cable 23P - 23S	ABB IRB 66xx-2.8
	P0066-42	4.2 m signal cable 23P - 23S	ABB IRB 6650-3.2, 6650S-3.5
	P0066-46	4.6 m signal cable 23P - 23S	ABB IRB 6650S/3.9
	P0054-30	3 m signal/bus cable 23P - 23S	ABB IRB 6620
	P0054-38	3.8 m signal/bus cable 23P - 23S	ABB IRB 66xx/7600-2.55, 6650-2.75, 6650S-3.0
	P0054-40	4.0 m signal/bus cable 23P - 23S	ABB IRB 66xx-2.8
	P0054-42	4.2 m signal/bus cable 23P - 23S	ABB IRB 6650-3.2, 6650S-3.5
	P0054-46	4.6 m signal/bus cable 23P - 23S	ABB IRB 6650S/3.9


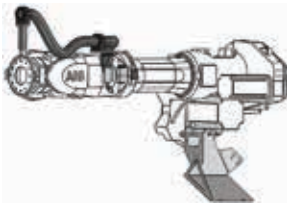

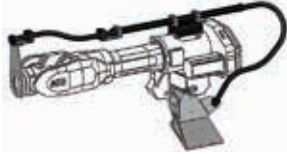
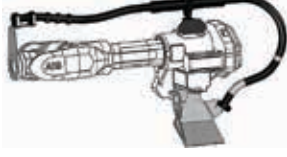

Hose packages for general solutions – upper arm

	Part number	Description	Robot model	Hose		
				length (m)	DI (mm)	DO (mm)
	P0030	Hose package 22/28 ABB IRB 140	ABB IRB 140	0.9	22	28
	P0034	Hose package 22/28 ABB IRB 1600	ABB IRB 1600	1.2	22	28
	P2111	Hose package 36/43 ABB IRB 1600	ABB IRB 1600	2.2	36	43
	P0126	Hose package 36/43 ABB IRB 2600/12-20, 2400/10-16	ABB IRB 2600/12-20, 2400/10-16	2.55	36	43
	P2126 P1318	Hose package 36/43 ABB IRB 2600 ID Hollow wrist manifold TC60, IRB2600 ID	ABB IRB 2600 ID	0.9	36	43
	P0088	Hose package 36/43 ABB IRB 4400/L30	ABB IRB 4400/L30	2.1	36	43
	P0062	Hose package 27/35 ABB IRB 4400/45-60	ABB IRB 4400/45-60	2.2	27	35
	P0087	Hose package 36/43 ABB IRB 4400/45-60	ABB IRB 4400/45-60	1.6	36	43
	P0462	Hose package 36/43 ABB IRB 4400/45-60	ABB IRB 4400/45-60	2	36	43
	P0468	Hose package 22/28 ABB IRB 4600/20	ABB IRB 4600/20	3.6	22	28



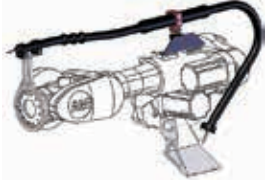


Hose packages for general solutions – upper arm

	Part number	Description	Robot model	Hose		
				length (m)	DI (mm)	DO (mm)
	P0470	Hose package 36/43 ABB IRB 4600/20	ABB IRB 4600/20	3.6	36	43
	P0467	Hose package 36/43 ABB IRB 4600/40	ABB IRB 4600/40	3.65	36	43
	P0466	Hose package 36/43 ABB IRB 4600/45-60	ABB IRB 4600/45-60	3.25	36	43
	P0469	Hose package 36/43 ABB IRB 4600/45-60	ABB IRB 4600/45-60	2.6	36	43
	P2115	Hose package 46/54 ABB IRB 6620	ABB IRB 6620	3	46	54
	P0642	Hose package 28/34 ABB IRB 6640/6600 through axis 4	ABB IRB 6640/6600	3	28	34
	P0640	Hose package 28/34 ABB IRB 6640/6600 through axis 4	ABB IRB 6640/6600	5	28	34








Hose packages for general solutions – upper arm

	Part number	Description	Robot model	Hose		
				length (m)	DI (mm)	DO (mm)
	P0659	Hose package 47/55 ABB IRB 6640/6600 through axis 4	ABB IRB 6640/6600	3.02	47	55
	P0677	Hose package 47/55 ABB IRB 6640/6600	ABB IRB 6640/6600	2.35	47	55
	P0661	Hose package 47/55 ABB IRB 6640/6600 through axis 4	ABB IRB 6640/6600	2.02	47	55
	3HXC0100-566	Hose package 27/35 ABB IRB 6640/6600	ABB IRB 6640/6600	4	27	35
	3HXC0100-564	Hose package 46/54 ABB IRB 6640/6600	ABB IRB 6640/6600	2.95–3.85	46	54
	P2112	Hose package 68/83 ABB IRB 6640/6600	ABB IRB 6640/6600	4.6	68	83

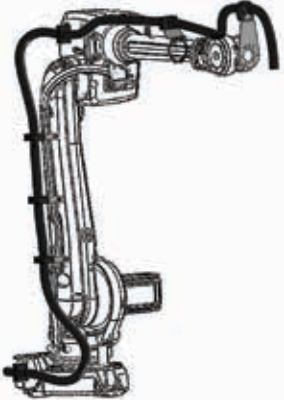
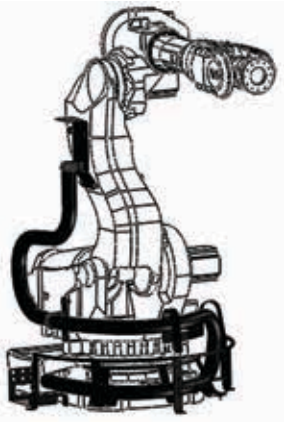


Hose packages for general solutions – upper arm

	Part number	Description	Robot model	Hose		
				length (m)	DI (mm)	DO (mm)
	P2113	Hose package 36/43 ABB IRB 660	ABB IRB 660	2	36	43
	P0662	Hose package 47/55 ABB IRB 7600 through axis 4	ABB IRB 7600	2.2	47	55
	3HXC0100-565	Hose package 46/54 ABB IRB 7600	ABB IRB 7600	4.5	46	54
	P0128	Hose package 22/28 Denso VM60B1	Denso VM60B1	1	22	28
	P2403	Hose package 36/43 Fanuc M710-i	Fanuc M710-i	2.3	36	43

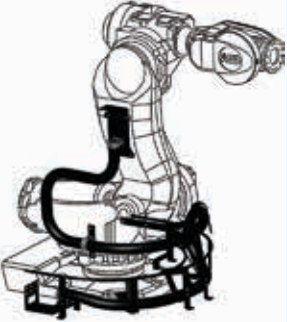
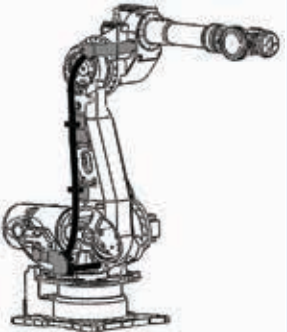
Hose packages for general solutions – upper arm

	Part number	Description	Robot model	Hose		
				length (m)	DI (mm)	DO (mm)
	P0655L	Hose package 36/43 Fanuc R2000iB	Fanuc R2000iB	3.88	36	43
	P2303	Hose package 27/35 KUKA KR6	KUKA KR6	2.5	27	35
	P2302	Hose package 36/43 KUKA KR60	KUKA KR60	2.2	36	43
	P2201	Hose package 23/28 Motoman UP6-UP20	Motoman UP6-UP20	1.6	23	28
	P0672	Hose package 36/43 Motoman ES 165	Motoman ES 165	1.8	36	43
	P2501	Hose package 23/28 Universal robot UR5	Universal robot UR5	1.8	23	28
	P2502	Hose package 23/28 Universal robot UR10	Universal robot UR10	2.2	23	28

Hose packages for general solutions – lower arm

	Part number	Description	Robot model	Hose		
				length (m)	DI (mm)	DO (mm)
	P2101	Hose package axis 1-6 36/43 ABB IRB 4600/40	ABB IRB 4600/40	6	36	43
	3HXB0100-565	Hose package lower arm 67/80 ABB IRB 6600	ABB IRB 6600	4.15	67	80
	P0689	Hose package lower arm 67/80 ABB IRB 6640	ABB IRB 6640	4.15	67	80
	P0690	Hose package lower arm 67/80 ABB IRB 6660, 660	ABB IRB 6660, 660	3.3	67	80

Hose packages for general solutions – lower arm

	Part number	Description	Robot model	Hose		
				length (m)	DI (mm)	DO (mm)
	3HXB0100-580	Hose package lower arm 67/80 ABB IRB 7600	ABB IRB 7600	5	67	80
	P0682	Hose package lower arm 36/43 Motoman ES 165	Motoman ES 165	1.8	36	43

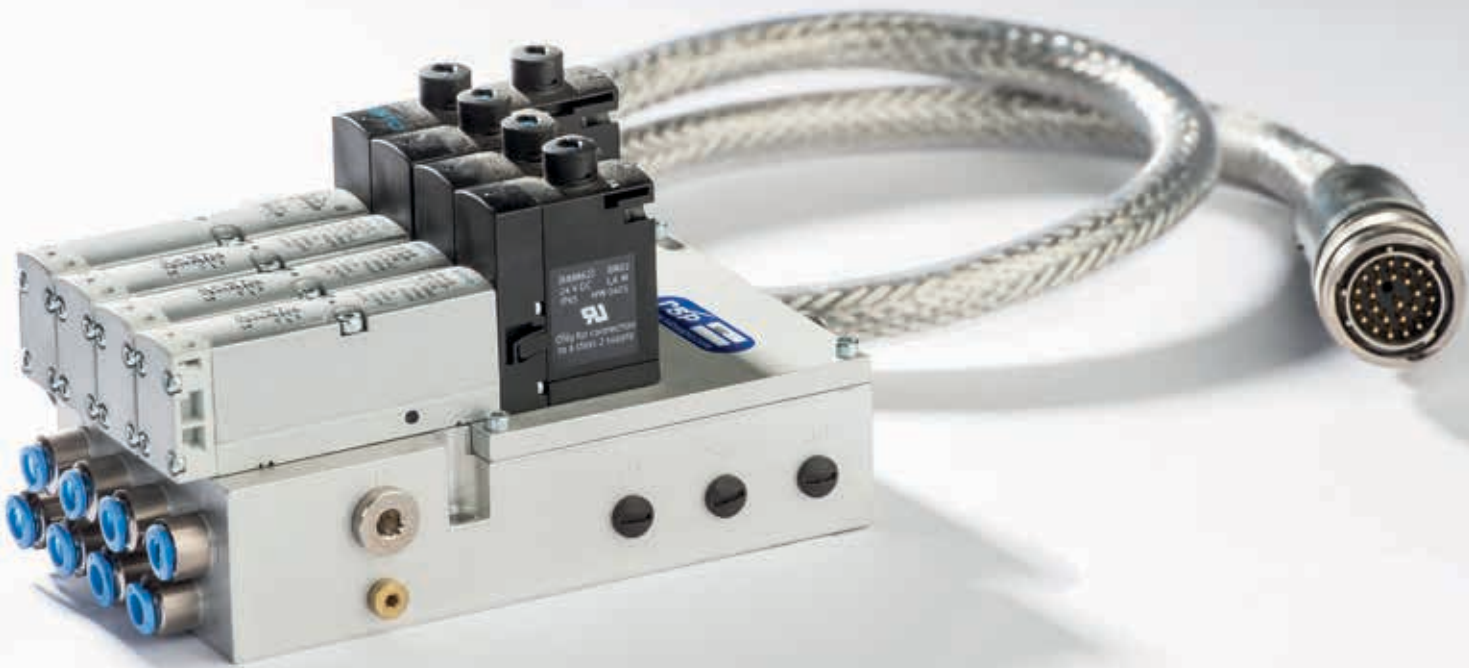
Options	Article number	Description
Signal cable from valve unit with open end (to be put into the hose package)	P0025-30	3 m signal cable 8P – 8S
	P8150-28	2.8 m signal cable 23P – open end (for P2126)
	P0065-50	5 m signal cable 23P – open end
	P0065-70	7 m signal cable 23P – open end
	P0053-50	5 m signal/bus cable 23P – open end
	P0053-70	7 m signal/bus cable 23P – open end

Hose package accessories

Reference Picture		Article number	Description
	For protective hose 22/28	18651978-5	Protective hose PISG-23B
		I0614	Protective hose PARAB-23F
		I0690	Protective hose PURRB-23G
	For protective hose 28/34	18651978-6	Protective hose PISG-29B
		I0400	Protective hose PURRB-29G
	For protective hose 36/43	I0370	Protective hose PARAB-36G
		I0583	Protective hose PURRB-36G
		I0676	Protective hose PURRB-36F
		I0827	Protective hose PIST-36B
	For protective hose 47/55	18651997-8	Protective hose PISG-48S
		I0270	Protective hose PARAB-48G
		I0340	Protective hose PURRB-48G
	For protective hose 67/80	18651997-9	Protective hose PIHG-70B
	For protective hose 68/83	3HXG1000-284	Protective hose PURRB-70G
		I0465	Protective hose PURVB-70G
  	For protective hose 22/28	I0324	Hose clamp for NW23 hose
		P8219	
		3HXC1000-152	
	For protective hose 28/34	I0335	Hose clamp for NW29 hose
		P8222	
		3HXC1000-17	Hose clamp with swiveling insert NW29 hose
		P8223	
	For protective hose 36/43	I0369	Hose clamp for NW36 hose
		P8225	Hose clamp with swiveling insert NW36 hose
	For protective hose 47/55	P8226	Hose clamp for NW48 hose
		P8227	Hose clamp with swiveling insert for NW48 hose
		P8228	Hose clamp with sliding insert for NW48 hose
		21661953-5	Hose clamp for BGP-48
		21661951-9	Hose clamp for BFH-48
		P8205	Aluminium hose clamp spherical NW48
For protective hose 68/83	P8207	Swiveling insert NW48 for hose clamp P8205	
	P8206	Aluminium hose clamp spherical NW70	
	P8208	Swiveling insert NW70 for spherical clamp P8206	
	P8214	Rotating insert NW70 for sperical clamp P8206	
	P0077	Hose bracket ø 80	
	P0078	Hose bracket NW70	
	For protective hose 36/43	I0677	Hose protection for PAPR-36G
	For protective hose 47/55	P0679	Hose protection for NW48 hose
		I0408	Hose protection PAPRB-48
	For protective hose 68/83	P0648	Hose protection for NW70 hose
	For protective hose 47/55 – 68/83	P8233	Spring loaded retractor arm – right
		P8234	Spring loaded retractor arm – left

Hose package accessories

Reference Picture		Article number	Description
	For protective hose 22/28	P8201	Hose guide for NW23 hose
		P8202	Hose guide for NW36 hose
	For protective hose 28/34	P8202	Hose guide for NW36 hose
	For protective hose 36/43	P8202	Hose guide for NW36 hose
	For protective hose 47/55	P8203	Hose guide for NW48 hose
	For protective hose 68/83	P8204	Hose guide for NW70 hose
	For protective hose 22/28	P8220-2	Springloaded tube 200 mm
		P8220-4	Springloaded tube 400 mm
	For protective hose 28/34	P8224-2	Springloaded tube 200 mm
		P8224-4	Springloaded tube 400 mm
		P8224-10	Springloaded tube 1000 mm
	For protective hose 47/55	P8229-5	Springloaded tube 500 mm
	For protective hose 22/28	I0414	Stright holder for tube
		P8221	Angled holder for tube
	For protective hose 28/34	I0414	Stright holder for tube
		P8221	Angled holder for tube
For protective hose 47/55	P8230	Stright holder for tube	
	P8231	Movable holder	
	For protective hose 47/55	P0234-015	Rubber Grommet NW48; 4 holes: 3x19 mm, 1x14 mm
	For protective hose 67/80	635500006-408	Rubber Grommet D80; 7 holes: 1x24mm, 3x19mm, 1x15.5mm, 2x12.5mm
		3HXB1000-144	Rubber Grommet D80; 7 holes: 1x30mm, 3x20mm, 1x17mm, 1x10.5mm, 1x8mm
		3HXB1000-230	Rubber Grommet D80; 7 holes: 1x22.4mm, 4x19mm, 1x12.6mm, 1x11.6mm
		3HXB1000-386	Rubber Grommet D80; 7 holes: 1x24mm, 4x19mm, 1x15.5mm, 1x12.5mm
	For protective hose 68/83	3HXB1000-349	Rubber Grommet D80; 9 holes: 1x26mm, 4x19mm, 1x15.5mm, 1x14mm, 2x8mm
		P0172-104	Rubber Grommet NW70; 9 holes: 1x26mm, 5x19mm, 2x14mm, 1x10mm
P0234-100	Rubber Grommet NW70; 9 holes for P8208: 1x26mm, 5x19mm, 2x14mm, 1x10mm		
	Rubber grommet square 80x50 mm	P0234-022	6 holes: 3x19 mm, 1x14 mm, 2x10 mm
		P0234-021	Bracket to above grommet
	Axis 6 brackets	P0221-013	Axis 6 bracket hole pattern according to ISO 9409-1 100-6-M10
		P0218-023	Axis 6 bracket hole pattern according to ISO 9409-1 160-11-M12
		P0218-029	Axis 6 bracket hole pattern according to ISO 9409-1 200-12-M16
		P8209	Axis 6 bracket Ø160
		P8210	Axis 6 bracket Ø200
		A0226-008	Adjustable axis 6 bracket Ø160
		3HXB0100-70	Adjustable axis 6 bracket Ø200



Valve units

Valve units

In Robot System Products valve units, the air and electrical connections are integrated into one single compact unit made for mounting at practically any type of robot. As the tool changing function, integrated in the unit, controls the air supply to other valves the programming of the robot is simplified. Some available options are interfaces for sensors, data and a vacuum module.

- One compact unit for air and electrical signals
- Integrated tool changing function
- Standard (ISO) valve interface
- Fieldbus compatible
- Vacuum module available

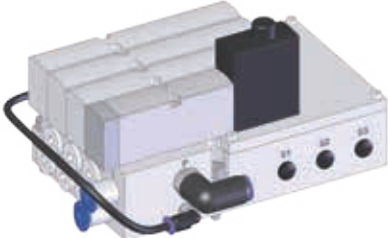
The valve unit can handle up to five standard ISO valves where one of the valves can be configured as a tool changing valve.

Small valve units

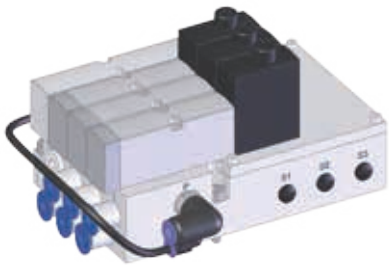
P0010A
Small valve unit without valves



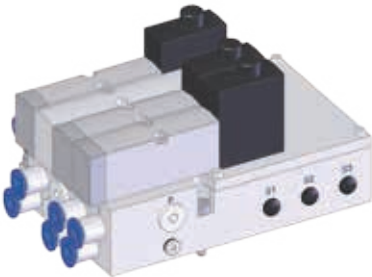
P0012A
Small valve unit with one Festo valve



P0013A
Small valve unit with three Festo valves



P0011A
Small valve unit with three Festo valves with tool changer function



Small valve units

Article number	P0010A	P0012A	P0013A	P0011A
Weight (kg)	0.8	1.0	1.1	1.1
Working temperature	+10°C – +60°C			
Air ducts				
Tool change valve 5/2 monostable	–	–	–	1
Directional valves 5/2 monostable	–	1	3	2
Valve size	ISO02 18mm IE (ISO15407-2)			
Number of outlet air ducts	Max 8	2	6	
Number of inlet air ducts	Max 2	1	1	
Max air pressure	1.0 MPa			
Air flow m ³ /min, free at Pin = 1.0MPa	–	550 l/min for each valve		550 l/min totally
Connection, inlet	8 mm hose			
Connection, outlet	6 mm hose			
Air quality	Oil-clean and waterless filtered air, with max 25µm particle content			
Electrical signals				
Number of signals, robot side	Max 16 (6 more signals when using option P0017A)			
Dedicated signals, robot side	1 x 24V DC			
	1 x 0V DC			
	8 Valve control			
Number of signals, tool side	8			
Dedicated signals, tool side	1 x 24V DC			
	1 x 0V DC			
	2A			
Max current	+24V			
Voltage, valves	+60V			
Max voltage, other signals	1 M16 x 1.5 holes for cable gland, 1 M20 x 1.5 hole for cable gland			
Connection, robot side	Female M12-8 pole contact			
Connection, tool side				

Options	Article number	Description
Cables between ABB robots and small valve unit	P0020	Cable between ABB IRB 140 and small valve unit (12P Souriau – open end)
	P0021	Cable between ABB IRB 1400 and small valve unit (12P Souriau – open end)
	P0022	Cable between ABB IRB 2400 and small valve unit (23P Souriau – open end)
	P0023	Cable between ABB IRB 1600 and small valve unit (26P Compact Souriau – open end)
	P8119	Cable between ABB IRB 2600, 4600/20 and small valve unit (26P Compact Souriau – open end)
	P0022-12	Cable between ABB IRB 4400/L 10 and small valve unit (23P Souriau – open end)

Extended small valve units

P0027
 Extended small valve unit with two Festo valves with tool changer function



P0028
 Extended small valve unit with four Festo valves with tool changer function



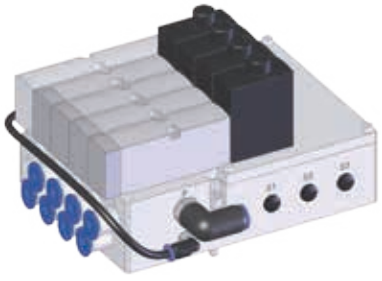
P0029
 Extended small valve unit with five Festo valves with tool change function



P0035
 Extended small valve unit with two Festo valves



P0036
 Extended small valve unit with four Festo valves



P0026
 Extended small valve unit without valves



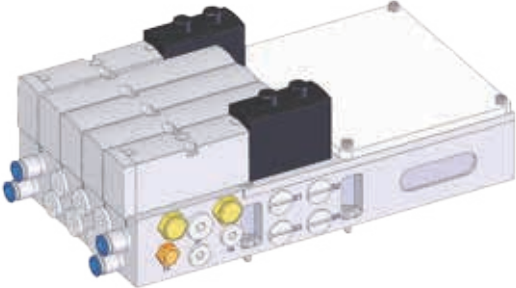
Extended small valve units

Article number	P0027	P0028	P0029	P0035	P0036	P0026
Weight (kg)	1.4	1.5	1.5	1.4	1.5	1.1
Working temperature	+10°C – +60°C					
Air ducts						
Tool change valve 5/2 monostable	1	1	1	–	–	–
Directional valves 5/2 monostable	1	3	4	2	4	–
Valve size	ISO02 18mm IE (ISO15407-2)					
Number of outlet air ducts	2	6	8	4	8	Max 10
Number of inlet air ducts	1	1	1	1	1	Max 2
Max air pressure	1 MPa					
Air flow m ³ /min, free at Pin = 1.0MPa	550 l/min totally			550 l/min for each valve		–
Connection, inlet	8 mm					
Connection, outlet	6 mm					
Air quality	Oil-clean and waterless filtered air, with max 25µm particle content					
Electrical signals						
Number of signals, robot side	Max23					
Dedicated signals, robot side	1 x 24V DC					
	1 x 0V DC					
	10 Valve Control					
Number of signals, tool side	12					
Dedicated signals, tool side	1 x 24V DC					
	1 x 0V DC					
Max current	2A					
Voltage, valves	+24V					
Max voltage, other signals	+66V					
Connection, robot side	1 x M16 x 1.5 hole for cable gland, 1 x M20 x 1.5					
Connection, tool side	23S Souriau					

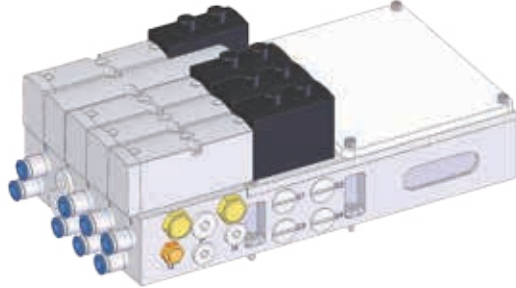
Options	Article number	Description
Cables between ABB Robots and small valve units	P8119-8	Cable between ABB IRB 2600ID R2.CS and valve unit (26P – open end)
	P8119	Cable between ABB IRB 4600 R2.CS and valve unit (26P – open end)
	P8117	Cable between ABB IRB 4600 R2.CP and valve unit (10P – open end)

Large valve units

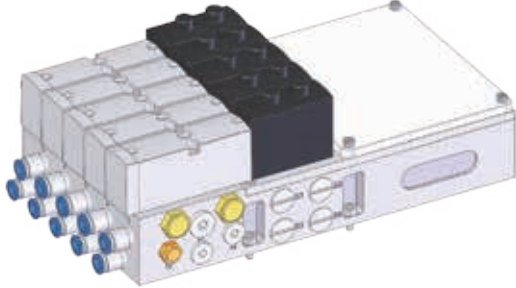
P0044A
Large valve unit with two Festo valves with tool changer function



P0041A
Large valve unit with four Festo valves with tool changer function



P0043A
Large valve unit with five Festo valves with tool changer function



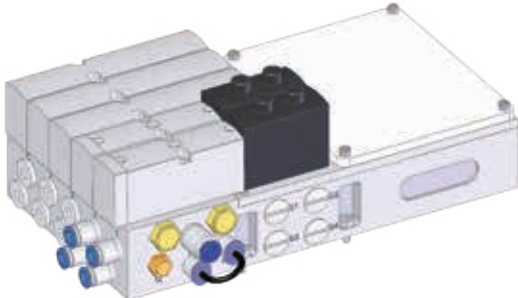
Large valve units

Article number	P0044A	P0041A	P0043A
Weight (kg)	3.5	3.8	4.0
Working temperature	+10°C – +60°C		
Air ducts			
Tool change valve 2x3/2 NO/NC	1		
Directional valves 5/2 Bistable	1	3	4
Valve size	ISO01 26mm IE (ISO15407-2)		
Number of outlet air duct	4	8	10
Number of inlet air duct	1		
Max air pressure	1.0 MPa		
Air flow m ³ /min, free at Pin = 1.0MPa	900 l/min totally		
Connection, inlet	10 mm hose		
Connection, outlet	8 mm hose		
Air quality	Oil-clean and waterless filtered air, with max 25µm particle content		
Electrical signals			
Number of signals, robot side	Robot specific, Max 39		
Dedicated signals, robot side	1 x 24V DC		
	1 x 0V DC		
	1 PE		
	10 Valve control		
Number of signals, tool side	Robot specific, Max 21		
Dedicated signals, tool side	1 x 24V DC		
	1 x 0V DC		
	1 PE		
Max current	2A		
Voltage, valves	+24V		
Max voltage, other signals	+60V		
Connection, robot side	2 M25 x 1.5 holes for cable gland		
Connection, tool side	23S Souriau		

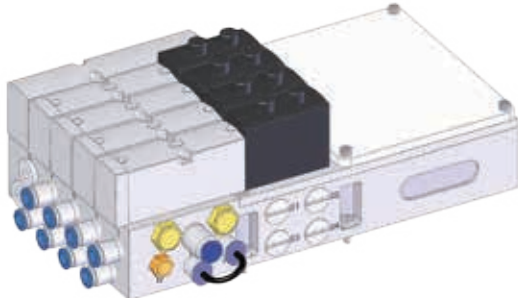
Options	Article number	Description
Options to valve units P0040A – 45A	P0046	Profi Bus control of the valve unit
	P0047	DeviceNet Bus control of the valve unit
	P0048	InterBus control of the valve unit
	P0049	CAN Open BUS control of the valve unit
	P0057	Input signals for bus
	P0056A	Four M12 sensor interface
	P0070	Pressure switch and regulator, mounted beside the valve unit
Cables between ABB robots and large valve unit	P8119-11	Cable between ABB IRB 4600 R2.CS and valve unit (26P Compact Souriau – open end)
	P8117	Cable between ABB IRB 4600 R2.CP and valve unit (10P Compact Souriau – open end)
	P0050-12	Cable between ABB IRB 4400 R2.CS and valve unit (23P Souriau – open end)
	P0058-12	Cable between ABB IRB 4400 R2.CP and valve unit (12P Souriau – open end)
	P0098	Cable between ABB IRB 6400 R2.CS and valve unit (23P Souriau – open end)
	P0099	Cable between ABB IRB 6400 R2.CP and valve unit (12P Souriau – open end)
	P0051-10	Cable between ABB IRB 66xx/7600 axis 3 digital I/O (IRC5) and valve unit (4 module Harting – open end)
	P0051-28	Cable between ABB IRB 66xx/7600 axis 2 digital I/O (IRC5) and valve unit (4 module Harting – open end)
	P0052-10	Cable between ABB IRB 66xx/7600 axis 3 bus (IRC5) and valve unit (4 module Harting – open end)
P0052-28	Cable between ABB IRB 66xx/7600 axis 2 bus (IRC5) and valve unit (4 module Harting – open end)	
Cables between ABB robots and large valve unit	P0666-11	CS-Cable – Fanuc R2000i (Harting 24p – open end)
	P0667-11	CP-Cable – Fanuc R2000i (Harting 15p – open end)
	P0668-11	CP/CS-Cable – Fanuc R2000i (Special – open end)

Large valve units

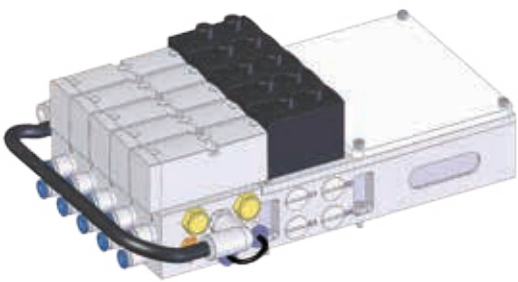
P0045A
Large valve unit with two Festo valves



P0042A
Large valve unit with four Festo valves



P0037A
Large valve unit with connection box and five Festo valves



P0040A
Large valve unit without valves



Large valve units

Article number	P0045A	P0042A	P0037A	P0040A
Weight (kg)	3.5	3.8	4.9	2.7
Working temperature	+10°C - +60°C			
Air ducts				
Tool change valve 2x3/2 NO/NC	–		1	–
Directional valves 5/2 Bistable	2	4	5	–
Valve size	ISO01 26mm IE (ISO15407-2)			
Number of outlet air duct	4	8	10	Max 10
Number of inlet air duct	1		1	Max 2
Max air pressure	1.0 MPa			
Air flow m ³ /min, free at Pin = 1.0MPa	1100 l/min for each valve		900 l/min totally	–
Connection, inlet	10 mm hose			
Connection, outlet	8 mm hose			
Air quality	Oil-clean and waterless filtered air, with max 25µm particle content			
Electrical signals				
Number of signals, robot side	Robot specific, Max 39			
Dedicated signals, robot side	1 x 24V DC			
	1 x 0V DC			
	1 PE			
Number of signals, tool side	10 Valve control			
	Robot specific, Max 21			
	1 x 24V DC			
Dedicated signals, tool side	1 x 0V DC			
	1 PE			
	2A			
Max current	+24V			
Voltage, valves	+60V			
Max voltage, other signals	2 M25 x 1.5 holes for cable gland			
Connection, robot side	23S Souriau			
Connection, tool side				

Options	Article number	Description
Options to valve units P0040A - 45A	P0046	Profi Bus control of the valve unit
	P0047	DeviceNet Bus control of the valve unit
	P0048	InterBus control of the valve unit
	P0049	CAN Open BUS control of the valve unit
	P0057	Input signals for bus
	P0056A	Four M12 sensor interface
	P0070	Pressure switch and regulator, mounted beside the valve unit
Cables between ABB robots and large valve unit	P8119-11	Cable between ABB IRB 4600 R2.CS and valve unit (26P Compact Souriau – open end)
	P8117	Cable between ABB IRB 4600 R2.CP and valve unit (10P Compact Souriau – open end)
	P0050-12	Cable between ABB IRB 4400 R2.CS and valve unit (23P Souriau – open end)
	P0058-12	Cable between ABB IRB 4400 R2.CP and valve unit (12P Souriau – open end)
	P0098	Cable between ABB IRB 6400 R2.CS and valve unit (23P Souriau – open end)
	P0099	Cable between ABB IRB 6400 R2.CP and valve unit (12P Souriau – open end)
	P0051-10	Cable between ABB IRB 66xx/7600 axis 3 digital I/O (IRC5) and valve unit (4 module Harting – open end)
	P0051-28	Cable between ABB IRB 66xx/7600 axis 2 digital I/O (IRC5) and valve unit (4 module Harting – open end)
Cables between ABB robots and large valve unit	P0052-10	Cable between ABB IRB 66xx/7600 axis 3 bus (IRC5) and valve unit (4 module Harting – open end)
	P0052-28	Cable between ABB IRB 66xx/7600 axis 2 bus (IRC5) and valve unit (4 module Harting – open end)
	P0666-11	CS-Cable - Fanuc R2000i (Harting 24p – open end)
	P0667-11	CP-Cable - Fanuc R2000i (Harting 15p – open end)
	P0668-11	CP/CS-Cable - Fanuc R2000i (Special – open end)



Grippers

Gripper Frame

- Light weight
- Universal hole pattern
- Built in cable guidance
- Rigid design

2-jaw parallel gripper

- Tried and tested T-groove for gripping at max. loads
- Fast and efficient gripping
- Sealed air connection to prevent contamination

3-jaw centric gripper

- Centric gripping of round and angular workpieces
- Universal application due to different types of jaws
- Gripping pressure controlled by change of pressure

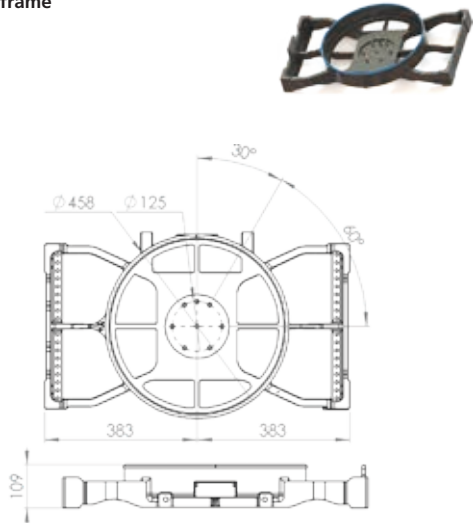
Long stroke gripper

- Suitable for long top jaws
- Optional, separate delivery of a gripping force safety device for exterior tension (GA) and interior tension (GI) of gripper
- Tubeless direct connection for central lubrication and sealing air

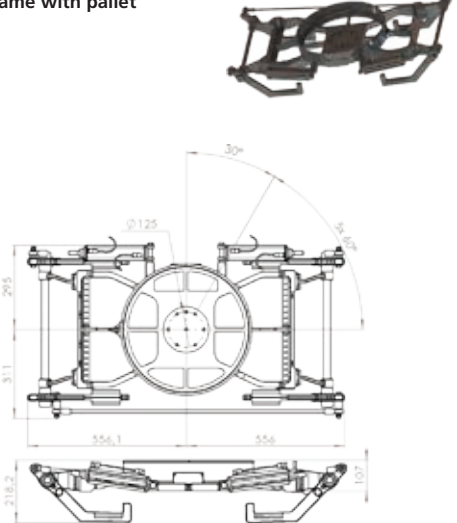
See our separate catalog for Grippers!

SmartGrip

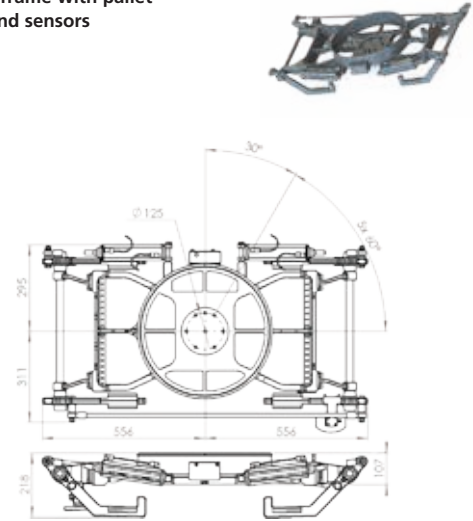
P9003
Gripper frame



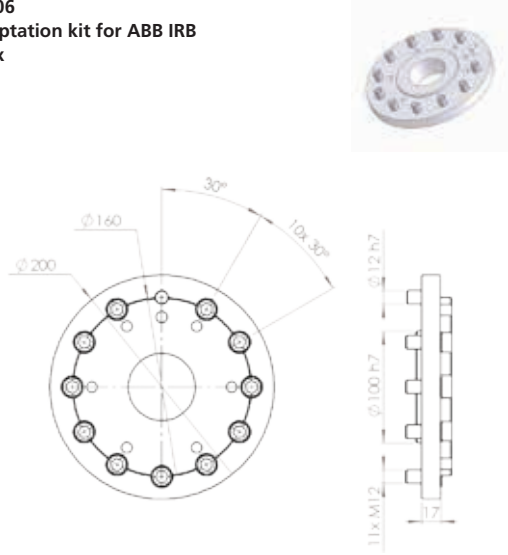
P9004
Gripper frame with pallet hooks



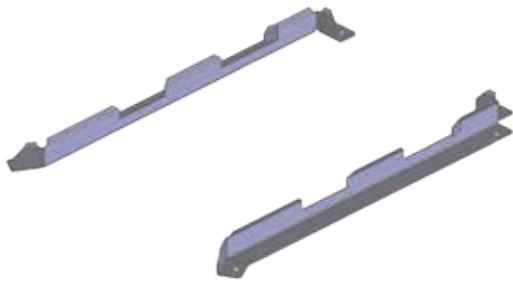
P9005
Gripper frame with pallet hooks and sensors



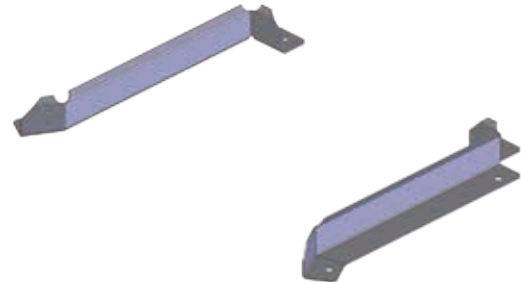
P9006
Adaptation kit for ABB IRB 66xx



P8310
Pallet stack locator



P8311
Pallet stack locator



Other grippers

2-jaw parallel gripper
See our gripping catalog

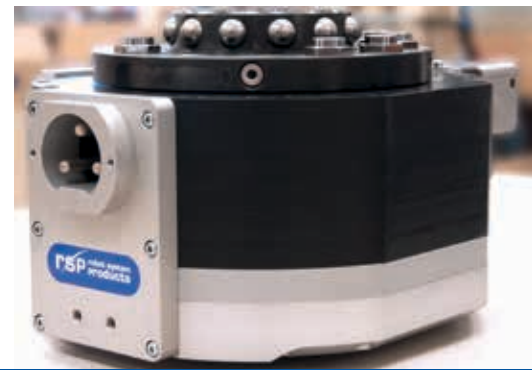
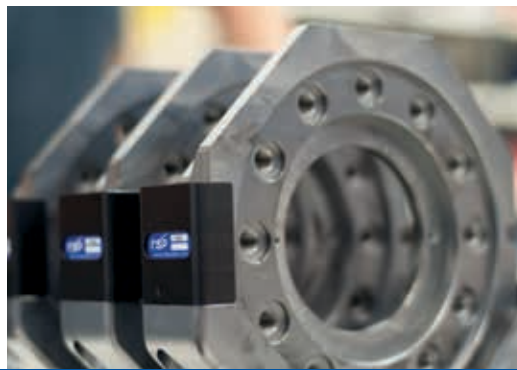
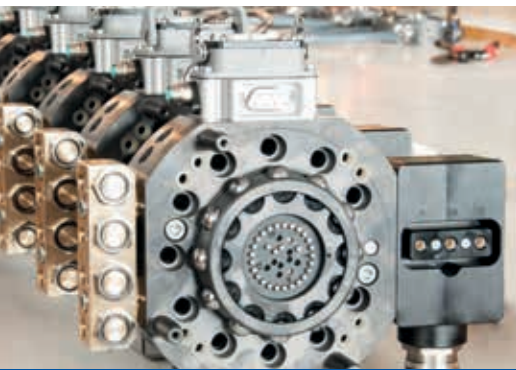


3-jaw centrick gripper
See our gripping catalog



Long stroke gripper





How to order from RSP

There are a few steps you should consider before placing an order:

- The size of the payload and robot when selecting the product
- The robot model name and arm length, model year if available.

Send your order by email to order@rsp.eu.com with the following information:

1. Part number, description, price and amount
2. PO number, date, required delivery date and delivery address
3. If available, also state the quotation number

If you are a new customer, we also need below information:

1. Contact person, phone number and email address
2. Company name, address, invoice address, phone/fax number and email address
3. Organization and tax number (VAT inside Europe)

RSP is based in Västerås Sweden and has offices and agents in over 20 countries worldwide.

Argentina – Chile – Peru – Uruguay

IRB Solutions S.A.
Buenos Aires
Phone: +54 3488 472 422
Email: cmpomilio@irbsolutions.com

Australia – New Zealand

RobotSpares
Frankston, VIC
Phone: +61 (0)414 843 191
Email: sales@robotspares.com.au

Belgium

AXYSTO
Geraardsbergen
Phone: +32 686 484 00
Email: info@axysto.com

Brasil

SINOVA
São Paulo
Phone: +55 11 5677-3919
Email: m.salzmann@sinova.com.br

China

Robot System Products Co., Ltd
Shanghai
Phone: +86 21 5190 5290
Email: info@robsyspro.com.cn

Denmark

Hoff Vakuumteknik
Charlottenlund
Phone: +45 251 700 85
Email: ndh@hoff-vakuum.dk

Finland

Oy Interfii Ltd
Kaarina
Phone: +358 201474500
Email: info@interfii.com

France

Sorelia
Poissy
Phone: +33 139 117272
Email: c.richard@sorelia-sa.com

Germany

Robot System Products GmbH
Günzburg
Phone: +49 8221 257959-0
Email: info@rsp.de.com

India

Kay Vybin Corporation
Mira
Phone: +91 22 2896 4671/2897 4972
Email: swati.mane@kayvybin.com

Ireland

Robotic & Drives Services Ltd.
Mullingar
Phone: +353 (0)87 050 7945
Email: stephen@rdservice.ie

Italy

OMIL Srl
Settimo Torinese
Phone: +39 (0)11 8211181
Email: info@omil.it

Korea

S.V Tech
Daegu
Phone: +82 53 267 1992
Email: svtech7@naver.com

Netherlands

Romicon
Wapenveld
Phone: +31 38 447 9181
Email: info@romicon.nl

Slovenia – Croatia – Serbia – Monte Negro – Bosnia – Herzegovina – Macedonia

OSSAT d.o.o.
Kranj
Phone: +386 31 267 537
Email: ossat.doo@gmail.com

Spain – Portugal

- Eurotech System, S.L.
Email: info@eurotechsys.com
- Gimatic
Email: jrodriguez@gimaticspain.es

Sweden

Robot System Products AB
Västerås
Phone: +46 21 816 600
Email: contact@rsp.eu.com

Thailand

I Robot
Bangkok
Phone: +66 2732 0082
Email: nikaziz@irobot.co.th

Turkey

iROB İleri Robot Otomasyon
ve Bilgi Teknolojileri
Bursa
Phone: +90 224 443 6343
Email: yalcin.eroglu@irob.com.tr

United Kingdom

Billington Group
Rotherham
Phone: +44 1709 543837
Email: warren@billington-group.co.uk

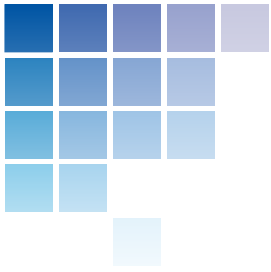
USA – Canada

Essential Robot Products, Inc.
Granger, IN
Phone: +1 574 271 7895
Email: josh.haag@robot-pros.com

The information in this document is subject to change without prior notice and should not be regarded as an undertaking from Robot System Products AB. Robot System Products AB assumes no responsibility for errors that may occur in this document.

Robot System Products AB bears no responsibility for damage that is incurred by the use of this document, or the software or hardware described in this document.

The document, or parts of it, may not be reproduced or copied without prior permission from Robot System Products AB. It may neither be imparted to a third party, nor otherwise be used without authorization. Infringement hereof will be subject to action in accordance with the applicable laws. Further copies of this document can be obtained from Robot System Products AB at current prices.



Don't forget to order our separate catalogs for
GRIPPERS and SPOTWELDING

© Robot System Products AB. Article number: M9001-1_5



Robot System Products AB
Isolatorvägen 4
SE-721 37 Västerås
Sweden
Phone: +46 (0)21 81 66 00
Fax: +46 (0)21 81 66 01
www.rsp.eu.com

rsp robot system
products